



HKC-EKAD Series Hall Effect Current Sensor

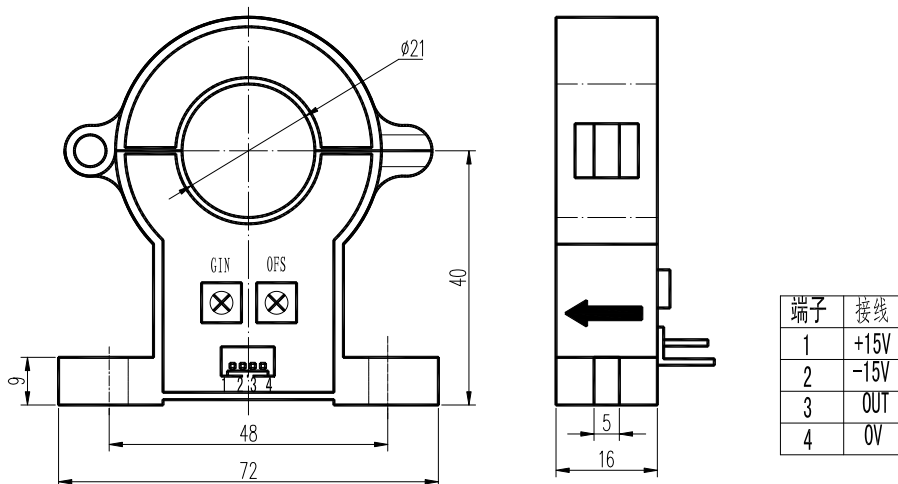
The HKC-EKAD series current sensor is an open loop device based on the measuring principle of the Hall Effect, with a galvanic isolation between primary and secondary circuit. It provides accurate electronic measurement of DC, AC currents.



ELECTRICAL DATA

	HKC20EKAD		HKC50EKAD		HKC100EKAD		
	HKC200EKAD		HKC400EKAD		HKC500EKAD		
Rated input current (AC)	30	100	200	400	500	600	A
Test current range (AC)	60	200	400	800	1000	1000	A
Rated output voltage (DC)						4±1%/5±1%	V
Supply voltage						±15 ±5%	V
Offset voltage						25	mV
Offset voltage Drift						≤±0.5	mV/°C
Linearity						≤1	%FS
Response Time						≤20	mS
bandwidth						20~20000	HZ
Insulation voltage	50HZ, 1min					2.5	KV
Operating Temperature						-40~+85	°C
Storage Temperature						-55~+125	°C

MUTING DIMENSIONS(FOR REFERENCE ONLY)



NOTES

1. When the current will be measured goes through a sensor, the voltage will be measured at the output end. (Note: The false wiring may result in the damage of the sensor).
2. The output amplitude of the sensor can be adjusted according to users' requirements.
3. Custom design in the nominal input current and the output voltage available.