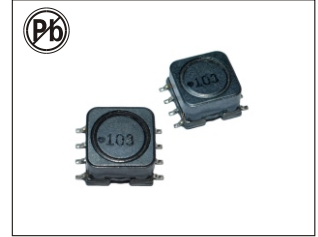


SHIELDED SMD POWER INDUCTORS

SB0908 SERIES



FEATURES:

- Magnetic Shielded Surface Mount Inductor with High Current Rating.
- Low Resistance to Keep Power Loss Minimum.

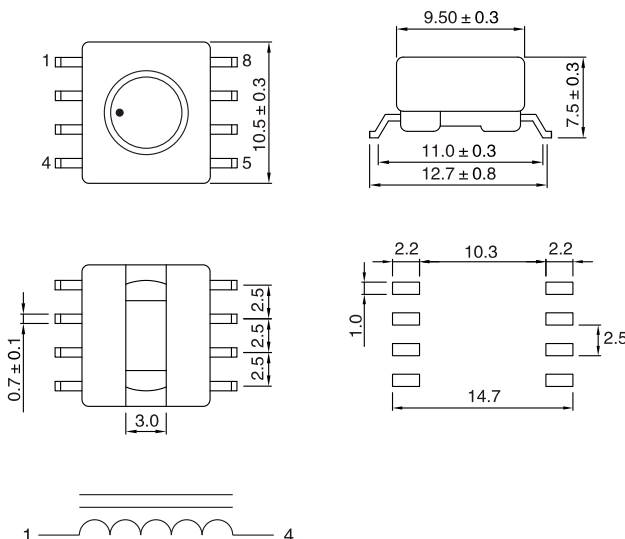
APPLICATIONS:

- Excellent for Power Line DC-DC Conversion
- Applications used in Hard disk, Notebook Computers and Other Electronic Equipment.

ELECTRICAL CHARACTERISTICS:

Part Number	Inductance (μH)	Q ref.	Test Freq. (Hz)		SRF (MHz) nom.	DCR (Ω) max.	IDC(mA) max.	Part Number	Inductance (μH)	Q ref.	Test Freq. (Hz)		SRF (MHz) nom.	DCR (Ω) max.	IDC(mA) max.
			L	Q							L	Q			
SB0908								SB0908							
1R5M	1.50 ± 20%	20	1K	7.960 M	65.0	0.014	5600	151Y	150.00 ± 15%	45	1K	0.796 M	4.60	0.450	800
2R7M	2.70 ± 20%	20	1K	7.960 M	50.0	0.019	4800	181Y	180.00 ± 15%	35	1K	0.796 M	4.20	0.500	700
3R9M	3.90 ± 20%	20	1K	7.960 M	35.0	0.021	4400	221Y	220.00 ± 15%	35	1K	0.796 M	3.80	0.600	650
5R6M	5.60 ± 20%	18	1K	7.960 M	25.0	0.027	3800	271Y	270.00 ± 15%	30	1K	0.796 M	3.40	0.700	600
7R5M	7.50 ± 20%	18	1K	7.960 M	15.0	0.032	3400	331Y	330.00 ± 15%	30	1K	0.796 M	3.00	0.800	550
100M	10.00 ± 20%	33	1K	2.520 M	11.0	0.040	3000	391Y	390.00 ± 15%	33	1K	0.796 M	2.60	1.000	500
120M	12.00 ± 20%	40	1K	2.520 M	11.0	0.050	2500	471Y	470.00 ± 15%	30	1K	0.796 M	2.30	1.150	450
150M	15.00 ± 20%	45	1K	2.520 M	8.50	0.065	2200	561Y	560.00 ± 15%	35	1K	0.796 M	2.20	1.500	380
180M	18.00 ± 20%	40	1K	2.520 M	8.50	0.075	2000	681Y	680.00 ± 15%	30	1K	0.796 M	2.00	1.700	350
220M	22.00 ± 20%	35	1K	2.520 M	6.00	0.080	1900	821Y	820.00 ± 15%	35	1K	0.796 M	1.90	2.200	320
270M	27.00 ± 20%	45	1K	2.520 M	6.00	0.090	1800	102Y	1000.00 ± 15%	85	1K	0.252 M	1.80	2.500	300
330M	33.00 ± 20%	40	1K	2.520 M	5.00	0.100	1700	152Y	1500.00 ± 15%	120	1K	0.252 M	1.30	4.000	250
390M	39.00 ± 20%	45	1K	2.520 M	5.00	0.135	1500	222Y	2200.00 ± 15%	95	1K	0.252 M	1.00	5.000	200
470M	47.00 ± 20%	40	1K	2.520 M	4.00	0.150	1400	332Y	3300.00 ± 15%	95	1K	0.252 M	0.90	8.000	150
560M	56.00 ± 20%	35	1K	2.520 M	3.00	0.165	1350	472Y	4700.00 ± 15%	90	1K	0.252 M	0.80	12.00	120
680M	68.00 ± 20%	30	1K	2.520 M	2.50	0.184	1250	682Y	6800.00 ± 15%	90	1K	0.252 M	0.60	16.50	100
820M	82.00 ± 20%	30	1K	2.520 M	2.40	0.260	1050	822Y	8200.00 ± 15%	85	1K	0.252 M	0.50	24.00	97
101Y	100.00 ± 15%	40	1K	0.796 M	6.00	0.280	1000	103Y	10000.00 ± 15%	110	1K	79.60 K	0.50	26.00	95
121Y	120.00 ± 15%	42	1K	0.796 M	5.70	0.340	900	153Y	15000.00 ± 15%	130	1K	79.60 K	0.40	40.00	75

TECHNICAL INFORMATION & PHYSICAL CHARACTERISTICS:



Materials:

1. Core: Ferrite DR Core & RI Core
2. Wire: Enamelled Copper Wire
3. Base: LCP E4008
4. Terminal: Tinned Copper Plate
5. Adhesive: Epoxy Resin

General Specification:

1. Storage Temperature: -40°C - +125°C
2. Operation Temperature: -40°C - +105°C
3. Rated Current: Base on Temperature & ΔL/L0A=10%max
4. Resistance to solder heat: 260°C, 10 secs.

Note: All specifications subject to change without notice.