

SCTK671 series retro-fit (split-core) current transformer has been specially designed to facilitate their installation in new or already existing net works. They may be installed without opening any cable or bus-bar circuit. An internal precision resistor across the secondary winding of the CT provides a low safe voltage output. It can save time and the installation costs.

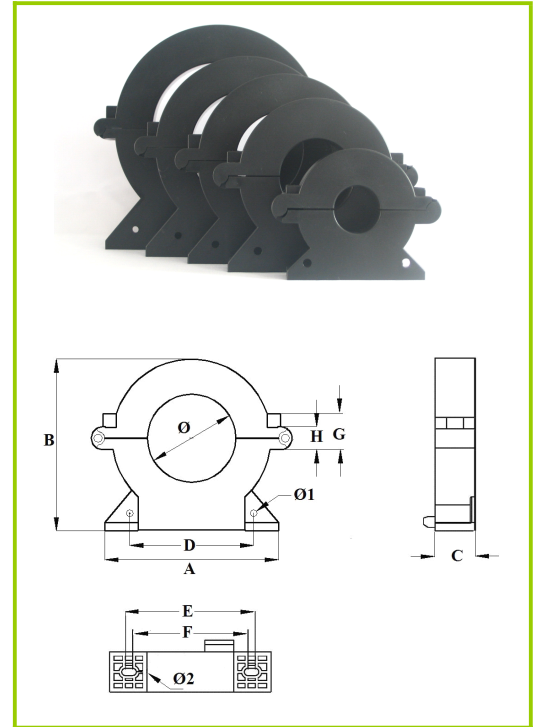
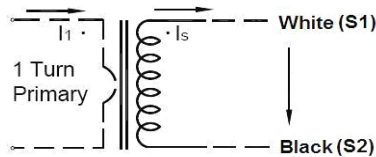
◆ Features

- Epoxy Potting, Double-screw fastening, safe, easy to install, portable
- Wide inner window, allowing clamping of big cables or bus-bars
- Wide range of sizes to accommodate all the existing installations

◆ Applications

- Current measurement, monitoring and protection for electrical wiring and equipment.
- Current and power measurement for electric motors, lighting, air compressor, heating and ventilation system, air-condition equipment and automation – control system.
- Current, power and energy monitoring device.
- Relay protection device.

◆ Circuit connection diagram



◆ Technique Index

Electrical Parameter	
Frequency	50-400Hz
Rated Input	5A-3000A
Measuring range	5%In-130%In
Rated Output	0-10V(AC) or 0-5A
Ratio	$\leq \pm 0.2\%$
Phase angle	$\leq \pm 10\text{min}$
Dielectric strength	2.5KV/1mA/1min
Insulation Resistance	DC500V/100M Ω min

Mechanical Parameter	
Case	PC /UL94-V0
Bobbin	PBT
Core	Silicon steel
Internal structure	Epoxy
Construction	Tie
Operating Temp	$-25^{\circ}\text{C} \sim +75^{\circ}\text{C}$
Operating Humidity	$\leq 85\%$
Output Connection	UL1015 22AWG Wire(twinsted wire) 2.5m

◆ Type Selection (Output: mA/V)

Mfg P/N	Rated Input (A)	Output (mA/V)	Accuracy	Dimensions(mm/inch)										
				Ø	A	B	C	D	E	F	G	H	Ø1	Ø2
SCTK671A-025 SCTK671B-045 SCTK671C-065 SCTK671D-080 SCTK671E-100	5-400A (5, 100, 400A)	0-200mA 0-10V	0.2, 0.5, 1.0	25	80	75	22	56	73	53	21	17	5	5
	50-1000A (50, 400, 1000A)	0-500mA 0-10V		45	106	107	26	71	100	74	24	13	5	5
	100-1500A (100, 1000, 1500A)	0-500mA 0-10V		65	128	127	26	91	120	94	27	17	5	5
	500-2000A (500, 1500, 2000A)	0-500mA 0-10V		80	144	144	28	97	134	104	27	17	5	5
	800-3000A (800, 2500, 3000A)	0-600mA 0-10V		100	174	174	30	126	162	120	27	17	5	5