

# SMD Inductors(Coils) For Power Line(Wound, Magnetic Shielded) LPS3012 SERIES



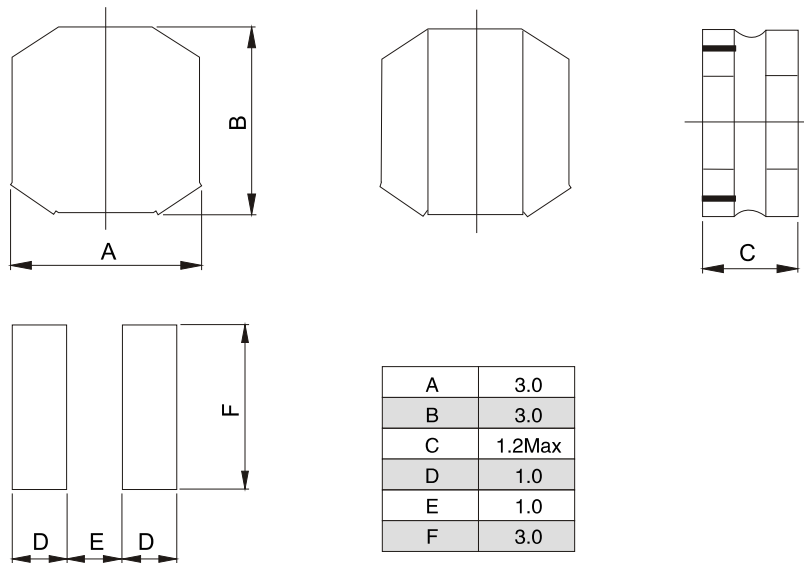
### FEATURES:

- Magnetically shielded by magnetic powder molding
- Miniature size: Mount area: 3x3mm, Height: 1.2mm max.
- Generic use for portable DC to DC converter line.
- High magnetic shield construction should actualize high resolution for EMC protection.
- Available for automatic mounting in tape and reel package.
- The products do not contain lead and support lead-free soldering.

### APPLICATIONS:

- Cellular phones, DVCs, DSCs, PDAs, LCD displays, HDDs, etc

## SHAPE AND DIMENSIONS Dimensions(mm)



## ELECTRICAL CHARACTERISTICS:

Part No.	Inductance (uH)	Inductance tolerance %	Test frequency MHz	DCR Max (Ω)	DCR Typ (Ω)	Rated current*		
						Based on inductance change		Based on temperature rise
						Max	Typ	
LPS3012-1R0N	1.0	± 30	1.0	0.068	0.056	1.90	2.15	2.0
LPS3012-1R5N	1.5	± 30	1.0	0.076	0.063	1.50	1.70	1.85
LPS3012-2R2M	2.2	± 20	1.0	0.096	0.080	1.35	1.50	1.7
LPS3012-3R3M	3.3	± 20	1.0	0.120	0.100	1.05	1.20	1.55
LPS3012-4R7M	4.7	± 20	1.0	0.156	0.130	0.95	1.05	1.3
LPS3012-6R8M	6.8	± 20	1.0	0.228	0.190	0.81	0.90	1.05
LPS3012-100M	10	± 20	1.0	0.336	0.280	0.64	0.76	0.89
LPS3012-150M	15	± 20	1.0	0.516	0.430	0.55	0.62	0.74
LPS3012-220M	22	± 20	1.0	0.756	0.630	0.44	0.49	0.61
LPS3012-330M	33	± 20	1.0	1.248	1.040	0.37	0.41	0.48
LPS3012-470M	47	± 20	1.0	1.500	1.250	0.31	0.35	0.44

### NOTES:

1. Rated current: Value obtained when current flows and the temperature has risen to 40°C or when DC current flows and the nominal value of inductance has fallen by 30%, whichever is smaller.
2. Operating temperature range: -40 to +105°C (Including self-temperature rise)