



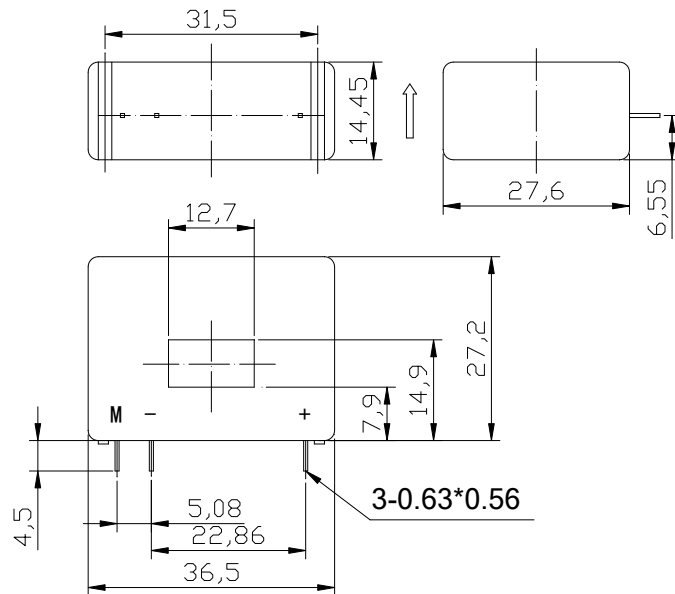
**HBC-LA Series Hall Effect Current Sensor**

HBC-LA Series current sensor with a galvanic isolation between primary and secondary circuit. It provides accurate electronic measurement of DC, AC or pulsed currents.

**ELECTRICAL DATA**

Item	HBC25LA	HBC50LA	HBC75LA	HBC100LA	
Rated input current	25	50	75	100	A
Test current range	0~±38	0~±75	0~±105	0~±150	A
Turns ratio	1:1000	1:1000	1:1500	1:2000	
Sec winding impedance	30	30	30	30	Ω
Rated output current	25±0.5%	50±0.5%			mA
Supply voltage	±15 DC ±5%				V
Offset current	≤±0.2		≤±0.15		mA
Offset current Drift	±0.1mA Type ±0.5mA Max		±0.1mA Type ±0.5mA Max		mA
Linearity			≤±0.2		%FS
Bandwidth (-3db)			0~200		KHZ
Response time (100A/us)			≤1		us
Insulation voltage	3.0/50HZ,1min OR 60HZ,1min				KV
Operating Temperature	-40~+85				°C
Storage Temperature	-40~+105				°C

**MUTING DIMENSIONS(FOR REFERENCE ONLY)**



**INSTRUCTIONS FOR USE**

1. When the current will be measured goes through a sensor, the voltage will be measured at the output end.  
(Note: The false wiring may result in the damage of the sensor).
2. The output amplitude of the sensor can be adjusted according to users requirements.
3. Custom design in the nominal input current and the output voltage available