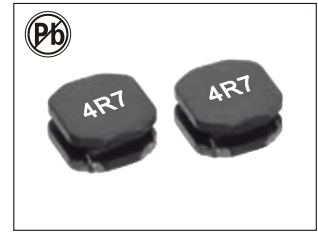


# SMD Inductors(Coils) For Power Line(Wound, Magnetic Shielded) LPS2512 SERIES



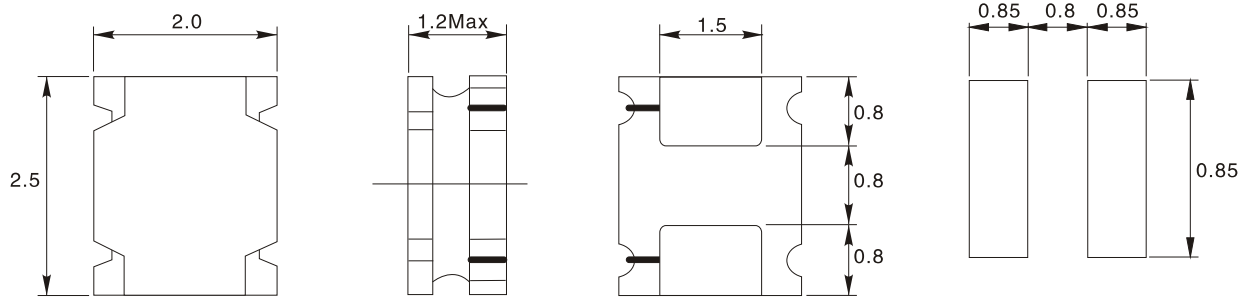
### FEATURES:

- Magnetically shielded by magnetic powder molding
- Miniature size: Mount area: 2.0x2.5mm, Height: 1.2mm max.
- Generic use for portable DC to DC converter line.
- High magnetic shield construction should actualize high resolution for EMC protection.
- Available for automatic mounting in tape and reel package.
- The products do not contain lead and support lead-free soldering.

### APPLICATIONS:

- Cellular phones, DVCs, DSCs, PDAs, LCD displays, HDDs, etc

## SHAPE AND DIMENSIONS Dimensions(mm)



## ELECTRICAL CHARACTERISTICS:

Part No.	Inductance (uH)	Inductance tolerance %	Test frequency KHz	DCR Max (Ω)	DCR Typ (Ω)	Rated current*		
						Based on inductance change		Based on temperature rise
						Max	Typ	
LPS2512-R47N	0.47	± 30	100	0.05	0.042	3.6	4.03	2.27
LPS2512-R68N	0.68	± 30	100	0.088	0.073	3.06	3.43	1.73
LPS2512-1R0N	1.0	± 30	100	0.102	0.085	2.68	3.00	1.58
LPS2512-1R2N	1.2	± 30	100	0.119	0.099	2.38	2.67	1.46
LPS2512-1R5M	1.5	± 20	100	0.136	0.113	2.24	2.51	1.40
LPS2512-2R2M	2.2	± 20	100	0.198	0.165	1.85	2.07	1.15
LPS2512-2R7M	2.7	± 20	100	0.222	0.285	1.71	1.92	1.09
LPS2512-3R3M	3.3	± 20	100	0.240	0.200	1.61	1.80	1.04
LPS2512-3R6M	3.6	± 20	100	0.322	0.268	1.48	1.66	0.90
LPS2512-4R3M	4.3	± 20	100	0.348	0.290	1.37	1.53	0.87
LPS2512-4R7M	4.7	± 20	100	0.378	0.315	1.18	1.32	0.84
LPS2512-5R1M	5.1	± 20	100	0.378	0.315	1.18	1.32	0.84
LPS2512-5R6M	5.6	± 20	100	0.401	0.334	1.13	1.26	0.81
LPS2512-6R2M	6.2	± 20	100	0.500	0.417	1.03	1.16	0.73
LPS2512-6R8M	6.8	± 20	100	0.536	0.447	0.98	1.09	0.69
LPS2512-7R5M	7.5	± 20	100	0.564	0.470	0.97	1.09	0.68
LPS2512-8R2M	8.2	± 20	100	0.607	0.506	0.96	1.10	0.65
LPS2512-9R1M	9.1	± 20	100	0.667	0.556	0.95	1.06	0.62
LPS2512-100M	10	± 20	100	0.690	0.575	0.88	0.97	0.62
LPS2512-120M	12	± 20	100	0.992	0.827	0.78	0.87	0.51
LPS2512-150M	15	± 20	100	1.469	1.224	0.68	0.76	0.42
LPS2512-220M	22	± 20	100	1.824	1.520	0.53	0.59	0.38

# SMD Inductors(Coils) For Power Line(Wound, Magnetic Shielded) LPS3010 SERIES



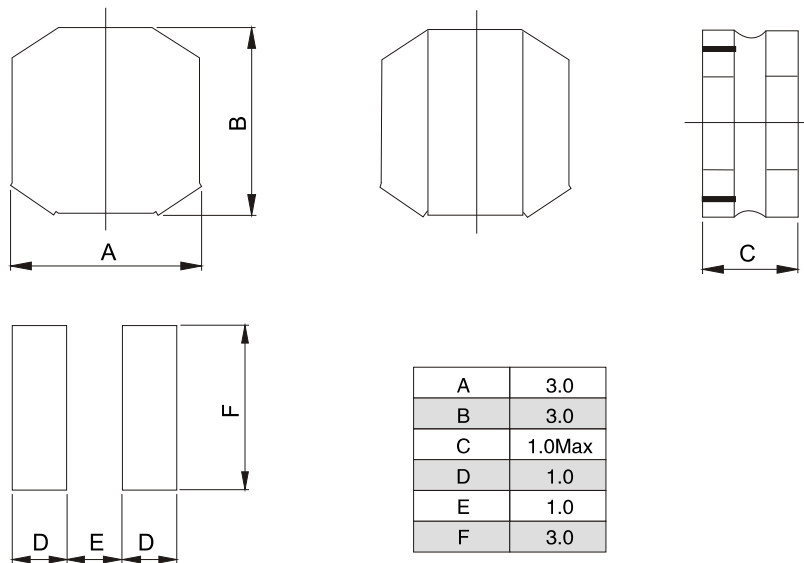
### FEATURES:

- Magnetically shielded by magnetic powder molding
- Miniature size: Mount area: 3x3mm, Height: 1.0mm max.
- Generic use for portable DC to DC converter line.
- High magnetic shield construction should actualize high resolution for EMC protection.
- Available for automatic mounting in tape and reel package.
- The products do not contain lead and support lead-free soldering.

### APPLICATIONS:

- Cellular phones, DVCs, DSCs, PDAs, LCD displays, HDDs, etc

## SHAPE AND DIMENSIONS Dimensions(mm)



## ELECTRICAL CHARACTERISTICS:

Part No.	Inductance (uH)	Inductance tolerance %	Test frequency MHz	DCR Max (Ω)	DCR Typ (Ω)	Rated current*		
						Based on inductance change		Based on temperature rise
						Max	Typ	
LPS3010-1R0N	1.0	± 30	1.0	0.072	0.060	1.6	1.8	2.1
LPS3010-1R5N	1.5	± 30	1.0	0.085	0.071	1.35	1.5	1.9
LPS3010-2R2M	2.2	± 20	1.0	0.116	0.097	1.20	1.3	1.7
LPS3010-3R3M	3.3	± 20	1.0	0.156	0.13	1.00	1.1	1.5
LPS3010-4R7M	4.7	± 20	1.0	0.204	0.17	0.81	0.9	1.3
LPS3010-6R8M	6.8	± 20	1.0	0.312	0.26	0.69	0.77	1.0
LPS3010-100M	10	± 20	1.0	0.468	0.39	0.56	0.63	0.9
LPS3010-150M	15	± 20	1.0	0.612	0.51	0.48	0.54	0.7
LPS3010-220M	22	± 20	1.0	0.900	0.75	0.38	0.43	0.6

### NOTES:

1. Rated current: Value obtained when current flows and the temperature has risen to 40°C or when DC current flows and the nominal value of inductance has fallen by 30%, whichever is smaller.
2. Operating temperature range: -40 to +105°C (Including self-temperature rise)

# SMD Inductors(Coils) For Power Line(Wound, Magnetic Shielded) LPS3012 SERIES



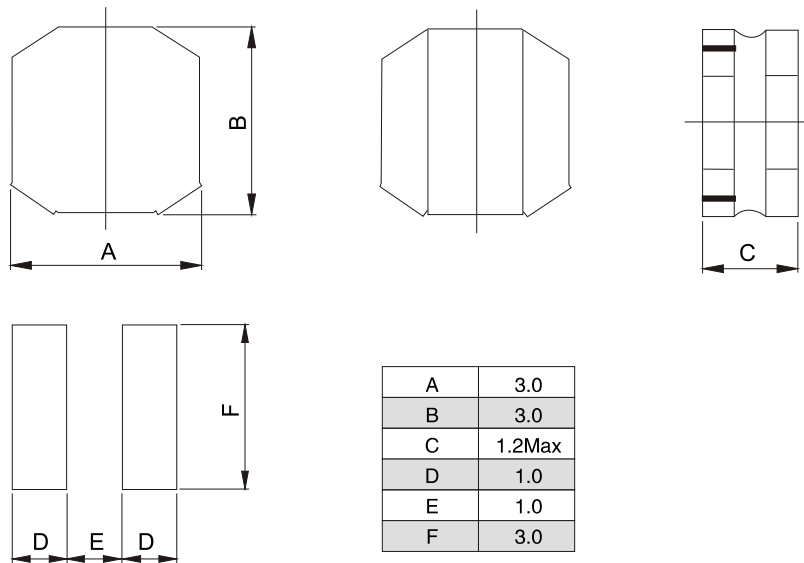
### FEATURES:

- Magnetically shielded by magnetic powder molding
- Miniature size: Mount area: 3x3mm, Height: 1.2mm max.
- Generic use for portable DC to DC converter line.
- High magnetic shield construction should actualize high resolution for EMC protection.
- Available for automatic mounting in tape and reel package.
- The products do not contain lead and support lead-free soldering.

### APPLICATIONS:

- Cellular phones, DVCs, DSCs, PDAs, LCD displays, HDDs, etc

## SHAPE AND DIMENSIONS Dimensions(mm)



## ELECTRICAL CHARACTERISTICS:

Part No.	Inductance (uH)	Inductance tolerance %	Test frequency MHz	DCR Max (Ω)	DCR Typ (Ω)	Rated current*		
						Based on inductance change		Based on temperature rise
						Max	Typ	
LPS3012-1R0N	1.0	± 30	1.0	0.068	0.056	1.90	2.15	2.0
LPS3012-1R5N	1.5	± 30	1.0	0.076	0.063	1.50	1.70	1.85
LPS3012-2R2M	2.2	± 20	1.0	0.096	0.080	1.35	1.50	1.7
LPS3012-3R3M	3.3	± 20	1.0	0.120	0.100	1.05	1.20	1.55
LPS3012-4R7M	4.7	± 20	1.0	0.156	0.130	0.95	1.05	1.3
LPS3012-6R8M	6.8	± 20	1.0	0.228	0.190	0.81	0.90	1.05
LPS3012-100M	10	± 20	1.0	0.336	0.280	0.64	0.76	0.89
LPS3012-150M	15	± 20	1.0	0.516	0.430	0.55	0.62	0.74
LPS3012-220M	22	± 20	1.0	0.756	0.630	0.44	0.49	0.61
LPS3012-330M	33	± 20	1.0	1.248	1.040	0.37	0.41	0.48
LPS3012-470M	47	± 20	1.0	1.500	1.250	0.31	0.35	0.44

### NOTES:

1. Rated current: Value obtained when current flows and the temperature has risen to 40°C or when DC current flows and the nominal value of inductance has fallen by 30%, whichever is smaller.
2. Operating temperature range: -40 to +105°C (Including self-temperature rise)

# SMD Inductors(Coils) For Power Line(Wound, Magnetic Shielded) LPS3015 SERIES



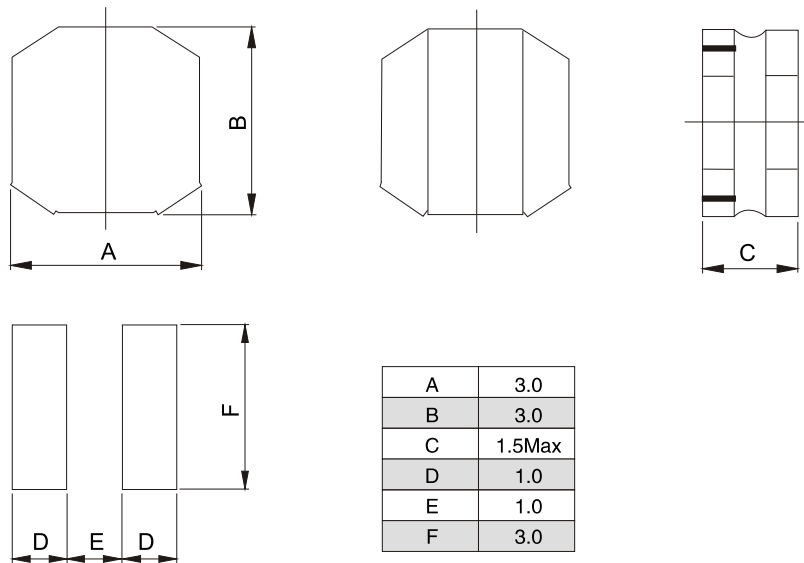
### FEATURES:

- Magnetically shielded by magnetic powder molding
- Miniature size: Mount area: 3x3mm, Height: 1.5mm max.
- Generic use for portable DC to DC converter line.
- High magnetic shield construction should actualize high resolution for EMC protection.
- Available for automatic mounting in tape and reel package.
- The products do not contain lead and support lead-free soldering.

### APPLICATIONS:

- Cellular phones, DVCs, DSCs, PDAs, LCD displays, HDDs, etc

## SHAPE AND DIMENSIONS Dimensions(mm)



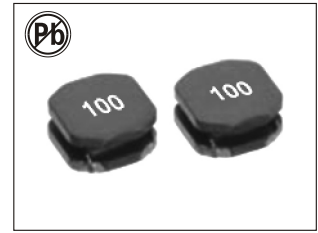
## ELECTRICAL CHARACTERISTICS:

Part No.	Inductance (uH)	Inductance tolerance %	Test frequency MHz	DCR Max (Ω)	DCR Typ (Ω)	Rated current*		
						Based on inductance change		Based on temperature rise
						Max	Typ	
LPS3015-1R0N	1.0	± 30	1.0	0.058	0.048	2.00	2.20	2.10
LPS3015-1R5N	1.5	± 30	1.0	0.075	0.062	1.50	1.70	1.85
LPS3015-2R2M	2.2	± 20	1.0	0.084	0.070	1.35	1.50	1.75
LPS3015-3R3M	3.3	± 20	1.0	0.112	0.093	1.15	1.30	1.50
LPS3015-4R7M	4.7	± 20	1.0	0.136	0.113	1.00	1.10	1.35
LPS3015-6R8M	6.8	± 20	1.0	0.216	0.180	0.92	1.00	1.05
LPS3015-100M	10	± 20	1.0	0.288	0.240	0.70	0.78	0.94
LPS3015-150M	15	± 20	1.0	0.456	0.380	0.58	0.65	0.75
LPS3015-220M	22	± 20	1.0	0.660	0.550	0.48	0.54	0.62
LPS3015-330M	33	± 20	1.0	0.984	0.820	0.39	0.43	0.51
LPS3015-470M	47	± 20	1.0	1.500	1.250	0.32	0.35	0.41

### NOTES:

1. Rated current: Value obtained when current flows and the temperature has risen to 40°C or when DC current flows and the nominal value of inductance has fallen by 30%, whichever is smaller.
2. Operating temperature range: -40 to +105°C (Including self-temperature rise)

# SMD Inductors(Coils) For Power Line(Wound, Magnetic Shielded) LPS4010 SERIES



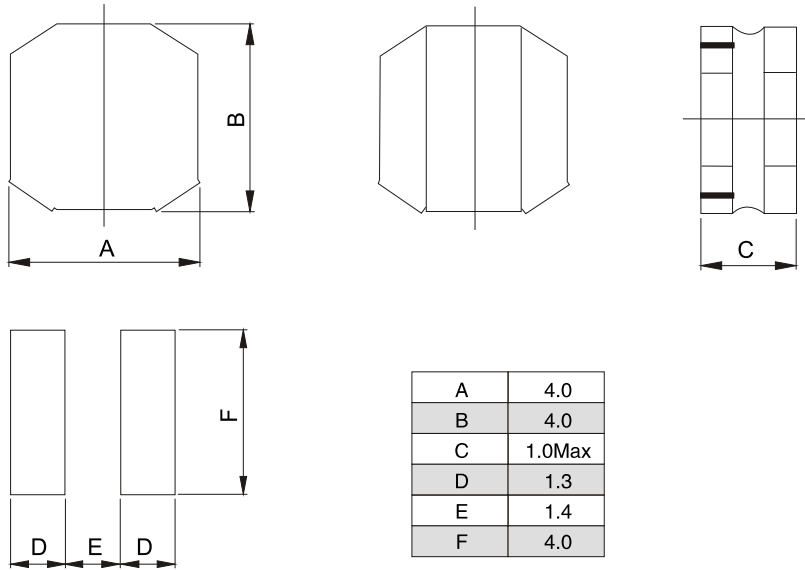
### FEATURES:

- Magnetically shielded by magnetic powder molding
- Miniature size: Mount area: 4x4mm, Height: 1.0mm max.
- Generic use for portable DC to DC converter line.
- High magnetic shield construction should actualize high resolution for EMC protection.
- Available for automatic mounting in tape and reel package.
- The products do not contain lead and support lead-free soldering.

### APPLICATIONS:

- Cellular phones, DVCs, DSCs, PDAs, LCD displays, HDDs, etc

## SHAPE AND DIMENSIONS Dimensions(mm)



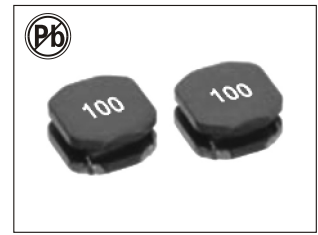
## ELECTRICAL CHARACTERISTICS:

Part No.	Inductance (uH)	Inductance tolerance %	Test frequency KHz	SRF MHz	DCR (Ω) ±20%	Rated current*	
						Saturation current	Based on temperature rise
LPS4010-1R0N	1.0	± 30	100	116	0.10	1.80	1.05
LPS4010-2R2N	2.2	± 30	100	73	0.15	1.15	0.89
LPS4010-3R3M	3.3	± 20	100	58	0.18	1.10	0.82
LPS4010-4R7M	4.7	± 20	100	47	0.21	0.90	0.75
LPS4010-6R8M	6.8	± 20	100	38	0.30	0.74	0.62
LPS4010-100M	10	± 20	100	31	0.38	0.56	0.60
LPS4010-150M	15	± 20	100	24	0.51	0.47	0.51
LPS4010-220M	22	± 20	100	19	0.87	0.36	0.40
LPS4010-330M	33	± 20	100	15	1.54	0.28	0.30
LPS4010-470M	47	± 20	100	13	1.81	0.24	0.28

### Notes:

1. All test data is referenced to 20°C ambient.
2. Rated current: Isat or Irms, whichever is smaller.
3. Isat: DC current at which the inductance drops approximate 30% form its value without current.
4. Irms: DC current that causes the temperature rise (ΔT=40°C) form 20°C ambient.

# SMD Inductors(Coils) For Power Line(Wound, Magnetic Shielded) LPS4012 SERIES



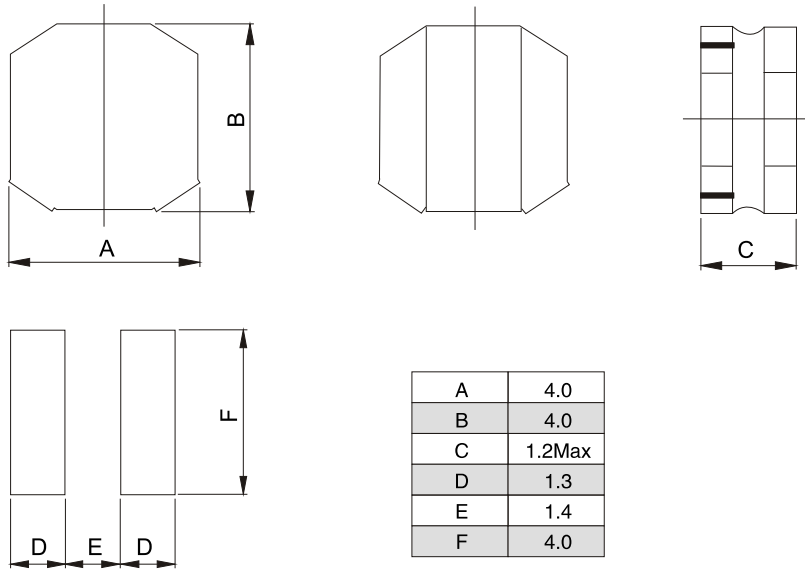
### FEATURES:

- Magnetically shielded by magnetic powder molding
- Miniature size: Mount area: 4x4mm, Height: 1.2mm max.
- Generic use for portable DC to DC converter line.
- High magnetic shield construction should actualize high resolution for EMC protection.
- Available for automatic mounting in tape and reel package.
- The products do not contain lead and support lead-free soldering.

### APPLICATIONS:

- Cellular phones, DVCs, DSCs, PDAs, LCD displays, HDDs, etc

## SHAPE AND DIMENSIONS Dimensions(mm)



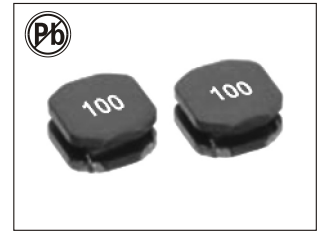
## ELECTRICAL CHARACTERISTICS:

Part No.	Inductance (uH)	Inductance tolerance %	Test frequency KHz	SRF MHz	DCR (Ω) ±20%	Rated current*	
						Saturation current	Based on temperature rise
LPS4012-1R0N	1.0	± 30	100	131	0.06	2.5	1.5
LPS4012-2R2N	2.2	± 30	100	66	0.09	1.65	1.2
LPS4012-3R3M	3.3	± 20	100	50	0.13	1.2	0.98
LPS4012-4R7M	4.7	± 20	100	45	0.14	1.05	0.96
LPS4012-6R8M	6.8	± 20	100	35	0.18	0.9	0.84
LPS4012-100M	10	± 20	100	28	0.24	0.74	0.77
LPS4012-150M	15	± 20	100	23	0.40	0.56	0.60
LPS4012-220M	22	± 20	100	18	0.48	0.51	0.54
LPS4012-330M	33	± 20	100	15	0.81	0.4	0.42
LPS4012-470M	47	± 20	100	12	1.00	0.35	0.37

### Notes:

1. All test data is referenced to 20°C ambient.
2. Rated current: Isat or Irms, whichever is smaller.
3. Isat: DC current at which the inductance drops approximate 30% form its value without current.
4. Irms: DC current that causes the temperature rise (ΔT=40°C) form 20°C ambient.

# SMD Inductors(Coils) For Power Line(Wound, Magnetic Shielded) LPS4018 SERIES



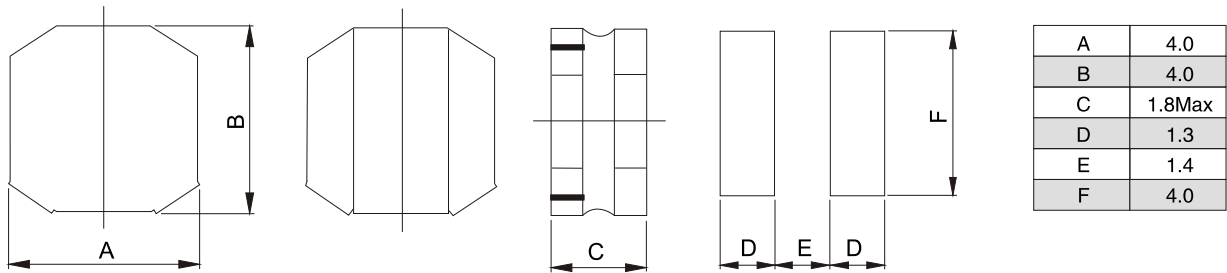
### FEATURES:

- Magnetically shielded by magnetic powder molding
- Miniature size: Mount area: 4x4mm, Height: 1.8mm max.
- Generic use for portable DC to DC converter line.
- High magnetic shield construction should actualize high resolution for EMC protection.
- Available for automatic mounting in tape and reel package.
- The products do not contain lead and support lead-free soldering.

### APPLICATIONS:

- Cellular phones, DVCs, DSCs, PDAs, LCD displays, HDDs, etc

## SHAPE AND DIMENSIONS Dimensions(mm)



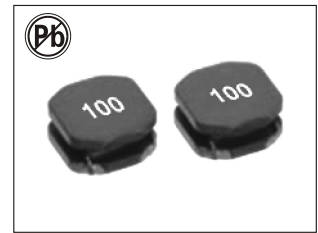
## ELECTRICAL CHARACTERISTICS:

Part No.	Inductance (uH)	Inductance tolerance %	Test frequency KHz	SRF MHz	DCR (Ω) ±20%	Rated current*	
						Saturation current	Based on temperature rise
LPS4018-1R0N	1.0	± 30	100	80	0.03	4.0	1.83
LPS4018-2R2M	2.2	± 20	100	52	0.06	2.7	1.44
LPS4018-3R3M	3.3	± 20	100	44	0.07	2.0	1.23
LPS4018-4R7M	4.7	± 20	100	34	0.09	1.7	1.2
LPS4018-6R8M	6.8	± 20	100	29	0.11	1.45	1.06
LPS4018-100M	10	± 20	100	24	0.18	1.2	0.84
LPS4018-150M	15	± 20	100	19	0.25	0.94	0.65
LPS4018-220M	22	± 20	100	16	0.36	0.8	0.59
LPS4018-330M	33	± 20	100	12	0.53	0.65	0.49
LPS4018-470M	47	± 20	100	10	0.65	0.57	0.42
LPS4018-680M	68	± 20	100	8.3	1.00	0.47	0.32
LPS4018-101M	100	± 20	100	6.5	1.50	0.4	0.27
LPS4018-151M	150	± 20	100	5.5	2.50	0.31	0.22
LPS4018-221M	220	± 20	100	4.0	4.00	0.27	0.17

Notes:

1. All test data is referenced to 20°C ambient.
2. Rated current: Isat or Irms, whichever is smaller.
3. Isat: DC current at which the inductance drops approximate 30% from its value without current.
4. Irms: DC current that causes the temperature rise (ΔT=40°C) from 20°C ambient.

# SMD Inductors(Coils) For Power Line(Wound, Magnetic Shielded) LPS4020 SERIES



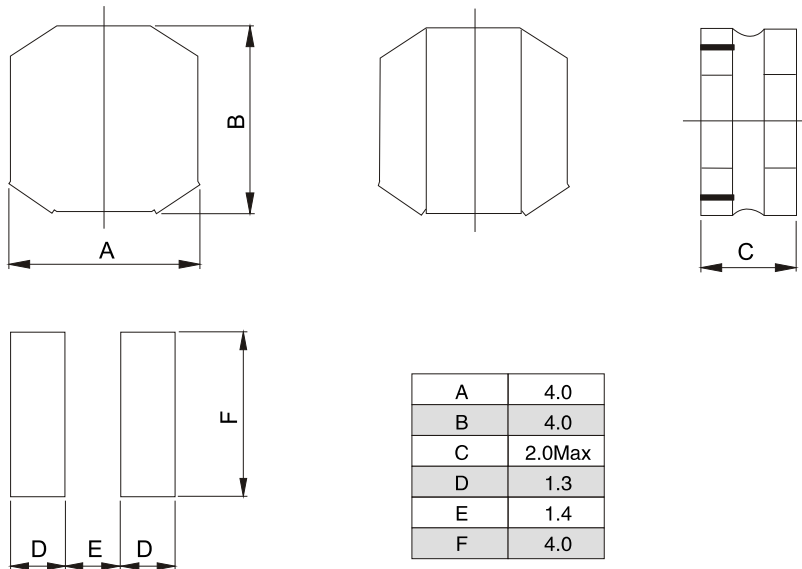
### FEATURES:

- Magnetically shielded by magnetic powder molding
- Miniature size: Mount area: 4x4mm, Height: 2.0mm max.
- Generic use for portable DC to DC converter line.
- High magnetic shield construction should actualize high resolution for EMC protection.
- Available for automatic mounting in tape and reel package.
- The products do not contain lead and support lead-free soldering.

### APPLICATIONS:

- Cellular phones, DVCs, DSCs, PDAs, LCD displays, HDDs, etc

## SHAPE AND DIMENSIONS Dimensions(mm)



## ELECTRICAL CHARACTERISTICS:

Part No.	Inductance (uH)	Inductance tolerance %	Test frequency KHz	SRF MHz	DCR (Ω) ±20%	Rated current*	
						Saturation current	Based on temperature rise
LPS4020-1R0N	1.0	± 30	100	98	0.020	4.85	2.60
LPS4020-1R2N	1.2	± 30	100	86	0.020	4.58	2.50
LPS4020-1R5N	1.5	± 30	100	86	0.030	3.85	2.15
LPS4020-2R2N	2.2	± 30	100	49	0.040	3.40	1.85
LPS4020-3R3M	3.3	± 20	100	44	0.070	3.20	1.40
LPS4020-3R6M	3.6	± 20	100	49	0.055	2.80	1.54
LPS4020-4R7M	4.7	± 20	100	42	0.075	2.35	1.34
LPS4020-5R1M	5.1	± 20	100	42	0.085	2.30	1.27
LPS4020-5R6M	5.6	± 20	100	30	0.090	2.20	1.22
LPS4020-6R2M	6.2	± 20	100	36	0.115	2.15	1.08
LPS4020-6R8M	6.8	± 20	100	33	0.125	2.20	1.04

Notes:

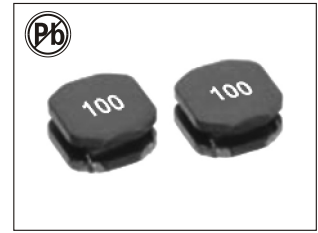
1. All test data is referenced to 20°C ambient.
2. Rated current: Isat or Irms, whichever is smaller.
3. Isat: DC current at which the inductance drops approximate 30% form its value without current.
4. Irms: DC current that causes the temperature rise (ΔT=40°C) form 20°C ambient.

Part No.	Inductance (uH)	Inductance tolerarance %	Test frequency KHz	SRF MHz	DCR (Ω) ±20%	Rated current*	
						Saturation current	Based on temperature rise
LPS4020-7R5M	7.5	± 20	100	30	0.115	1.85	1.08
LPS4020-8R2M	8.2	± 20	100	27	0.125	1.75	1.04
LPS4020-100M	10	± 20	100	26	0.165	1.60	0.90
LPS4020-120M	12	± 20	100	26	0.175	1.50	0.88
LPS4020-150M	15	± 20	100	24	0.230	1.35	0.77
LPS4020-220M	22	± 20	100	15	0.350	1.05	0.62
LPS4020-270M	27	± 20	100	14	0.545	1.02	0.50
LPS4020-330M	33	± 20	100	11	0.550	0.85	0.49
LPS4020-390M	39	± 20	100	11	0.650	0.82	0.46
LPS4020-430M	43	± 20	100	10	0.660	0.77	0.45
LPS4020-470M	47	± 20	100	10	0.710	0.74	0.44
LPS4020-510M	51	± 20	100	10	0.750	0.70	0.42
LPS4020-560M	56	± 20	100	10	0.800	0.66	0.41
LPS4020-620M	62	± 20	100	9.6	0.900	0.65	0.39
LPS4020-680M	68	± 20	100	7.7	1.06	0.61	0.36
LPS4020-750M	75	± 20	100	7.7	1.12	0.60	0.35
LPS4020-820M	82	± 20	100	7.2	1.17	0.56	0.34
LPS4020-101M	100	± 20	100	6.3	1.35	0.52	0.31

Notes:

1. All test data is referenced to 20°C ambient.
2. Rated current: Isat or Irms, whichever is smaller.
3. Isat: DC current at which the inductance drops approximate 30% form its value without current.
4. Irms: DC current that causes the temperature rise ( $\Delta T=40^{\circ}\text{C}$ ) form 20°C ambient.

# SMD Inductors(Coils) For Power Line(Wound, Magnetic Shielded) LPS4030 SERIES



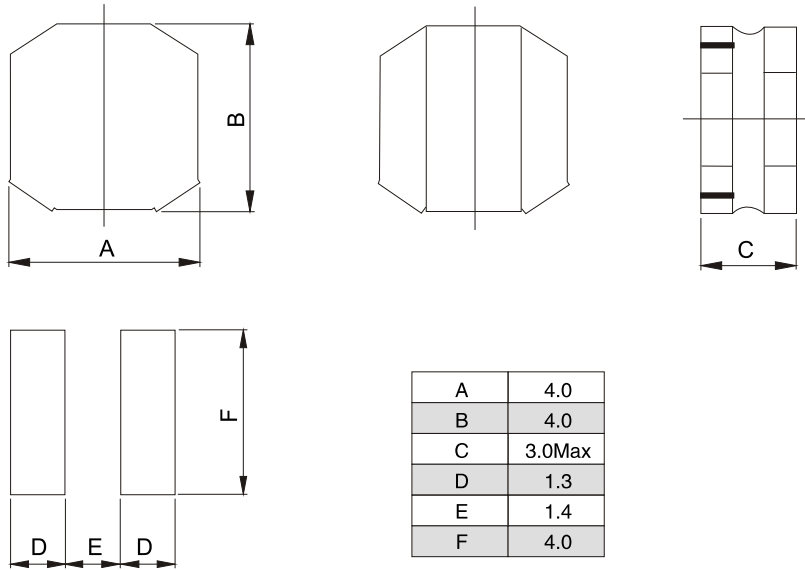
### FEATURES:

- Magnetically shielded by magnetic powder molding
- Miniature size: Mount area: 4x4mm, Height: 3.0mm max.
- Generic use for portable DC to DC converter line.
- High magnetic shield construction should actualize high resolution for EMC protection.
- Available for automatic mounting in tape and reel package.
- The products do not contain lead and support lead-free soldering.

### APPLICATIONS:

- Cellular phones, DVCs, DSCs, PDAs, LCD displays, HDDs, etc

## SHAPE AND DIMENSIONS Dimensions(mm)



## ELECTRICAL CHARACTERISTICS:

Part No.	Inductance (uH)	Inductance tolerance %	Test frequency KHz	SRF MHz	DCR (Ω) ±20%	Rated current*	
						Saturation current	Based on temperature rise
LPS4030-R91N	0.91	± 30	100	100	0.022	6.25	3.15
LPS4030-1R2N	1.2	± 30	100	80	0.025	5.80	2.96
LPS4030-1R5N	1.5	± 30	100	62	0.030	4.84	2.92
LPS4030-1R8N	1.8	± 30	100	60	0.030	5.4	2.92
LPS4030-2R2N	2.2	± 30	100	52	0.035	4.9	2.57
LPS4030-3R3M	3.3	± 20	100	38	0.040	3.3	2.40
LPS4030-4R3M	4.3	± 20	100	37	0.055	2.95	2.1
LPS4030-4R7M	4.7	± 20	100	31	0.060	2.90	2.0
LPS4030-5R6M	5.6	± 20	100	30	0.065	2.60	1.95
LPS4030-6R2M	6.2	± 20	100	29	0.070	2.50	1.85
LPS4030-6R8M	6.8	± 20	100	24	0.090	2.30	1.70
LPS4030-7R5M	7.5	± 20	100	26	0.092	2.20	1.65

Notes:

1. All test data is referenced to 20°C ambient.
2. Rated current: Isat or Irms, whichever is smaller.
3. Isat: DC current at which the inductance drops approximate 30% from its value without current.
4. Irms: DC current that causes the temperature rise (ΔT=40°C) from 20°C ambient.

Part No.	Inductance (uH)	Inductance tolerance %	Test frequency KHz	SRF MHz	DCR (Ω) ±20%	Rated current*	
						Saturation current	Based on temperature rise
LPS4030-8R2M	8.2	± 20	100	26	0.095	2.10	1.60
LPS4030-9R1M	9.1	± 20	100	23	0.095	2.00	1.55
LPS4030-100M	10	± 20	100	21	0.100	1.95	1.50
LPS4030-120M	12	± 20	100	18	0.135	1.70	1.30
LPS4030-150M	15	± 20	100	16	0.190	1.65	1.11
LPS4030-180M	18	± 20	100	10	0.200	1.4	1.10
LPS4030-220M	22	± 20	100	10	0.225	1.3	1.00
LPS4030-330M	33	± 20	100	10	0.330	1.1	0.84
LPS4030-360M	36	± 20	100	9.9	0.335	1.05	0.83
LPS4030-390M	39	± 20	100	10	0.435	1.03	0.73
LPS4030-430M	43	± 20	100	9.2	0.440	1.00	0.73
LPS4030-470M	47	± 20	100	8.4	0.445	0.95	0.72
LPS4030-510M	51	± 20	100	8.4	0.470	0.90	0.70
LPS4030-560M	56	± 20	100	8.4	0.555	0.85	0.65
LPS4030-620M	62	± 20	100	7	0.829	0.80	0.53
LPS4030-680M	68	± 20	100	7	0.868	0.75	0.52
LPS4030-750M	75	± 20	100	6.3	1.02	0.70	0.48
LPS4030-820M	82	± 20	100	5.6	1.06	0.66	0.47
LPS4030-910M	91	± 20	100	5.6	1.10	0.65	0.46
LPS4030-101M	100	± 20	100	5.6	1.15	0.60	0.45
LPS4030-121M	120	± 20	100	5.4	1.35	0.55	0.42

Notes:

1. All test data is referenced to 20°C ambient.
2. Rated current: Isat or Irms, whichever is smaller.
3. Isat: DC current at which the inductance drops approximate 30% from its value without current.
4. Irms: DC current that causes the temperature rise (ΔT=40°C) from 20°C ambient.

# SMD Inductors(Coils) For Power Line(Wound, Magnetic Shielded) LPS5020 SERIES



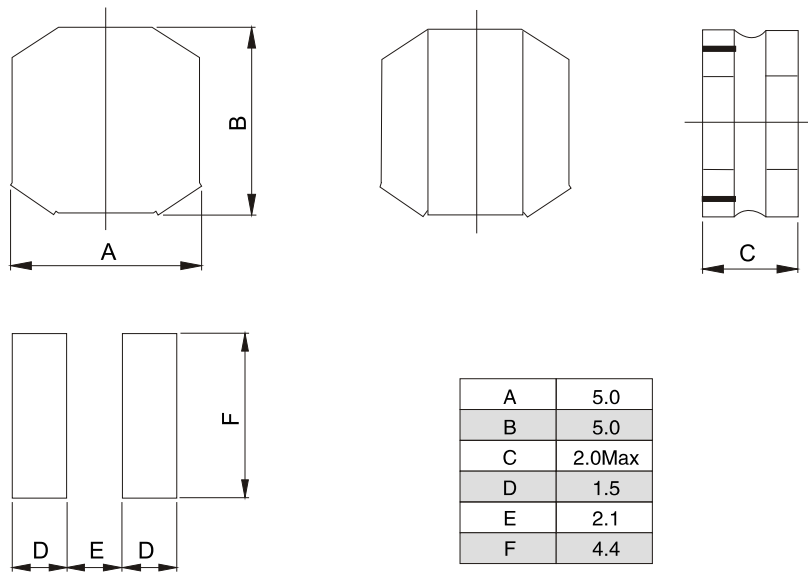
### FEATURES:

- Magnetically shielded by magnetic powder molding
- Miniature size: Mount area: 5x5mm, Height: 2.0mm max.
- Generic use for portable DC to DC converter line.
- High magnetic shield construction should actualize high resolution for EMC protection.
- Available for automatic mounting in tape and reel package.
- The products do not contain lead and support lead-free soldering.

### APPLICATIONS:

- Cellular phones, DVCs, DSCs, PDAs, LCD displays, HDDs, etc

## SHAPE AND DIMENSIONS Dimensions(mm)



## ELECTRICAL CHARACTERISTICS:

Part No.	Inductance (uH)	Inductance tolerance %	Test frequency KHz	SRF MHz	DCR (Ω) ±20%	Rated current*	
						Saturation current	Based on temperature rise
LPS5020-1R0N	1.0	± 30	100	97	0.018	4.33	3.7
LPS5020-1R5N	1.5	± 30	100	80	0.026	3.85	3.2
LPS5020-2R2N	2.2	± 30	100	61	0.035	3.85	2.9
LPS5020-3R3N	3.3	± 30	100	46	0.044	3.25	2.4
LPS5020-4R7N	4.7	± 30	100	33	0.059	2.40	2.05
LPS5020-6R8M	6.8	± 20	100	30	0.087	1.80	1.7
LPS5020-100M	10	± 20	100	24	0.110	1.79	1.50
LPS5020-150M	15	± 20	100	20	0.165	1.44	1.25
LPS5020-220M	22	± 20	100	16	0.235	1.18	1.05
LPS5020-330M	33	± 20	100	13	0.370	1.97	0.83

### Notes:

1. All test data is referenced to 20°C ambient.
2. Rated current: Isat or Irms, whichever is smaller.
3. Isat: DC current at which the inductance drops approximate 30% form its value without current.
4. Irms: DC current that causes the temperature rise (ΔT=40°C) form 20°C ambient.

# SMD Inductors(Coils) For Power Line(Wound, Magnetic Shielded) LPS5040 SERIES



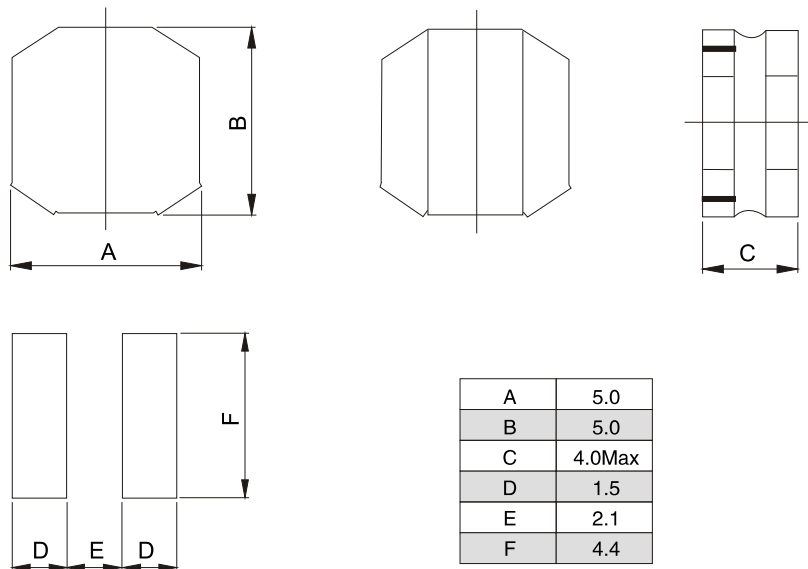
### FEATURES:

- Magnetically shielded by magnetic powder molding
- Miniature size: Mount area: 5x5mm, Height: 4.0mm max.
- Generic use for portable DC to DC converter line.
- High magnetic shield construction should actualize high resolution for EMC protection.
- Available for automatic mounting in tape and reel package.
- The products do not contain lead and support lead-free soldering.

### APPLICATIONS:

- Cellular phones, DVCs, DSCs, PDAs, LCD displays, HDDs, etc

## SHAPE AND DIMENSIONS Dimensions(mm)



## ELECTRICAL CHARACTERISTICS:

Part No.	Inductance (uH)	Inductance tolerance %	Test frequency KHz	SRF MHz	DCR (Ω) ±20%	Rated current*	
						Saturation current	Based on temperature rise
LPS5040-1R5N	1.5	± 30	100	60	0.013	7.3	4.45
LPS5040-2R2N	2.2	± 30	100	42	0.017	6.5	3.95
LPS5040-3R3N	3.3	± 30	100	32	0.025	5.1	3.4
LPS5040-4R7N	4.7	± 30	100	28	0.029	4.4	3.1
LPS5040-6R8M	6.8	± 20	100	21	0.043	3.8	2.4
LPS5040-100M	10	± 20	100	18	0.055	2.9	2.1
LPS5040-150M	15	± 20	100	13	0.089	2.3	1.6
LPS5040-220M	22	± 20	100	9	0.126	1.9	1.4
LPS5040-330M	33	± 20	100	7	0.192	1.6	1.2
LPS5040-470M	47	± 20	100	6	0.283	1.3	0.94

Notes:

1. All test data is referenced to 20°C ambient.
2. Rated current: Isat or Irms, whichever is smaller.
3. Isat: DC current at which the inductance drops approximate 30% form its value without current.
4. Irms: DC current that causes the temperature rise (ΔT=40°C) form 20°C ambient.

# SMD Inductors(Coils) For Power Line(Wound, Magnetic Shielded) LPS6012 SERIES



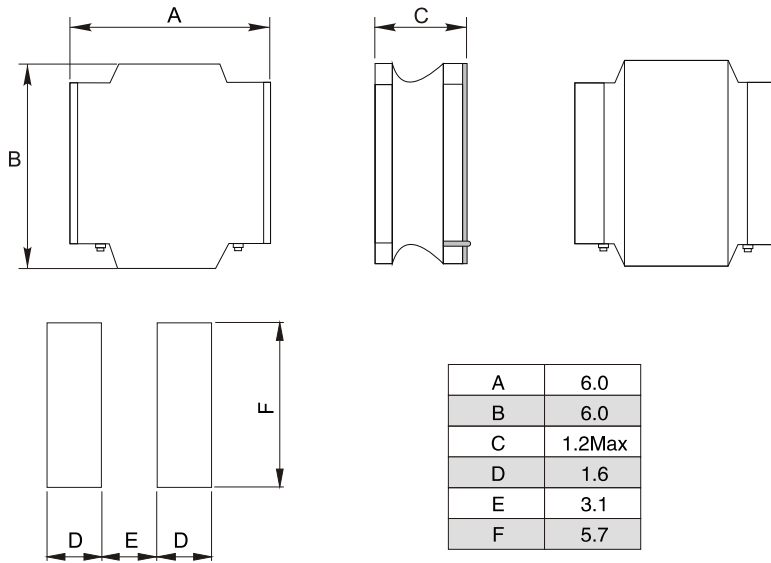
### FEATURES:

- Magnetically shielded by magnetic powder molding
- Miniature size: Mount area: 6x6mm, Height: 1.2mm max.
- Generic use for portable DC to DC converter line.
- High magnetic shield construction should actualize high resolution for EMC protection.
- Available for automatic mounting in tape and reel package.
- The products do not contain lead and support lead-free soldering.

### APPLICATIONS:

- Cellular phones, DVCs, DSCs, PDAs, LCD displays, HDDs, etc

## SHAPE AND DIMENSIONS Dimensions(mm)



## ELECTRICAL CHARACTERISTICS:

Part No.	Inductance (uH)	Inductance tolerance %	Test frequency KHz	SRF MHz	DCR (Ω) ±20%	Rated current*	
						Saturation current	Based on temperature rise
LPS6012-2R5N	2.5	± 30	100	45	0.09	2.1	1.73
LPS6012-4R0N	4.0	± 30	100	39	0.105	1.8	1.57
LPS6012-5R3M	5.3	± 20	100	34	0.125	1.5	1.4
LPS6012-6R8M	6.8	± 20	100	30	0.165	1.3	1.18
LPS6012-100M	10	± 20	100	22	0.235	1.0	1.0
LPS6012-150M	15	± 20	100	18	0.33	0.8	0.79
LPS6012-220M	22	± 20	100	12	0.53	0.76	0.63
LPS6012-330M	33	± 20	100	8	0.7	0.59	0.53
LPS6012-470M	47	± 20	100	6	1.05	0.52	0.46
LPS6012-680M	68	± 20	100	3	1.35	0.44	0.41
LPS6012-101M	100	± 20	100	1	2.18	0.35	0.32

Notes:

1. All test data is referenced to 20°C ambient.
2. Rated current: Isat or Irms, whichever is smaller.
3. Isat: DC current at which the inductance drops approximate 30% form its value without current.
4. Irms: DC current that causes the temperature rise (ΔT=40°C) form 20°C ambient.

# SMD Inductors(Coils) For Power Line(Wound, Magnetic Shielded) LPS6020 SERIES



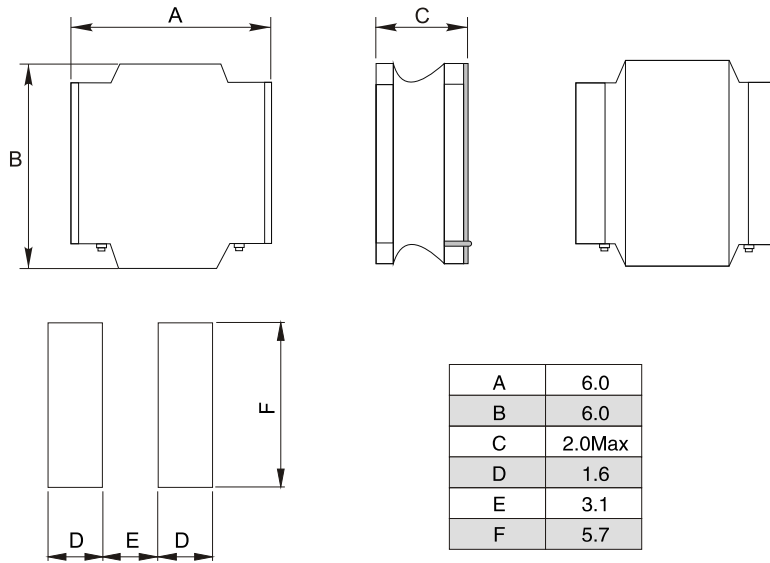
### FEATURES:

- Magnetically shielded by magnetic powder molding
- Miniature size: Mount area: 6x6mm, Height: 2.0mm max.
- Generic use for portable DC to DC converter line.
- High magnetic shield construction should actualize high resolution for EMC protection.
- Available for automatic mounting in tape and reel package.
- The products do not contain lead and support lead-free soldering.

### APPLICATIONS:

- Cellular phones, DVCs, DSCs, PDAs, LCD displays, HDDs, etc

## SHAPE AND DIMENSIONS Dimensions(mm)



## ELECTRICAL CHARACTERISTICS:

Part No.	Inductance (uH)	Inductance tolerance %	Test frequency KHz	SRF MHz	DCR (Ω) ±30%	Rated current*	
						Saturation current	Based on temperature rise
LPS6020-0R8N	0.8	± 30	100	110	0.02	5.5	3.8
LPS6020-1R5N	1.5	± 30	100	93	0.026	4.0	3.2
LPS6020-2R2N	2.2	± 30	100	73	0.034	3.2	2.7
LPS6020-3R3N	3.3	± 30	100	55	0.04	2.8	2.6
LPS6020-4R7N	4.7	± 30	100	43	0.058	2.4	2.0
LPS6020-6R8N	6.8	± 30	100	30	0.085	2.0	1.8
LPS6020-100M	10	± 20	100	18	0.125	1.7	1.4
LPS6020-220M	22	± 20	100	11	0.290	1.05	0.95

Notes:

1. All test data is referenced to 20°C ambient.
2. Rated current: Isat or Irms, whichever is smaller.
3. Isat: DC current at which the inductance drops approximate 30% form its value without current.
4. Irms: DC current that causes the temperature rise (ΔT=40°C) form 20°C ambient.

# SMD Inductors(Coils) For Power Line(Wound, Magnetic Shielded) LPS6028 SERIES



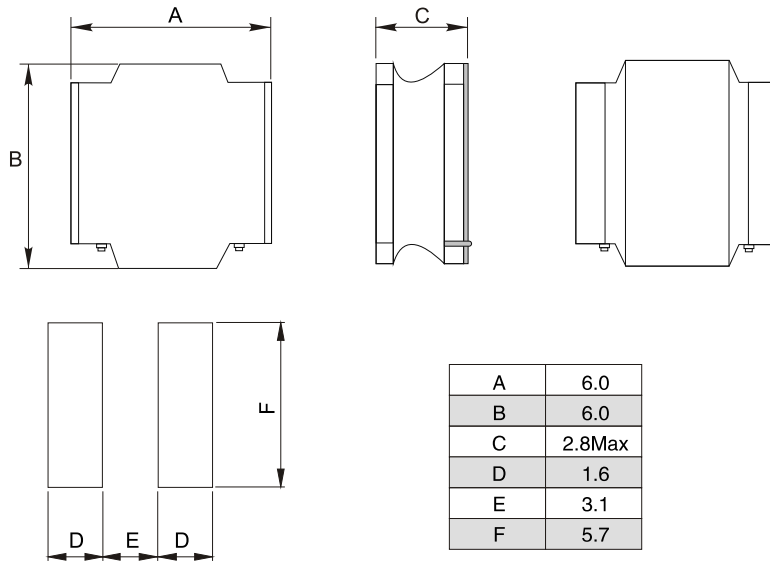
### FEATURES:

- Magnetically shielded by magnetic powder molding
- Miniature size: Mount area: 6x6mm, Height: 2.8mm max.
- Generic use for portable DC to DC converter line.
- High magnetic shield construction should actualize high resolution for EMC protection.
- Available for automatic mounting in tape and reel package.
- The products do not contain lead and support lead-free soldering.

### APPLICATIONS:

- Cellular phones, DVCs, DSCs, PDAs, LCD displays, HDDs, etc

## SHAPE AND DIMENSIONS Dimensions(mm)



## ELECTRICAL CHARACTERISTICS:

Part No.	Inductance (uH)	Inductance tolerance %	Test frequency KHz	SRF MHz	DCR (Ω) ±30%	Rated current*	
						Saturation current	Based on temperature rise
LPS6028-1R5N	1.5	± 30	100	65	0.013	6.00	4.58
LPS6028-2R2N	2.2	± 30	100	56	0.015	5.10	4.09
LPS6028-2R7N	2.7	± 30	100	48	0.020	3.80	3.75
LPS6028-3R3N	3.3	± 30	100	41	0.025	3.63	3.48
LPS6028-4R7N	4.7	± 30	100	35	0.030	3.00	3.08
LPS6028-5R1N	5.1	± 30	100	33	0.035	3.55	2.89
LPS6028-6R2M	6.2	± 20	100	30	0.040	3.05	2.58
LPS6028-6R8M	6.8	± 20	100	27	0.047	2.85	2.40
LPS6028-8R2M	8.2	± 20	100	24	0.055	2.60	2.25
LPS6028-9R1M	9.1	± 20	100	24	0.060	2.55	2.15
LPS6028-100M	10	± 20	100	23	0.072	2.04	1.95
LPS6028-120M	15	± 20	100	18	0.080	1.80	1.85

Part No.	Inductance (uH)	Inductance tolerarance %	Test frequency KHz	SRF MHz	DCR (Ω) ± 30%	Rated current*	
						Saturation current	Based on temperature rise
LPS6028-150M	15	± 20	100	18	0.125	1.75	1.45
LPS6028-180M	18	± 20	100	15	0.125	1.52	1.45
LPS6028-220M	22	± 20	100	14	0.140	1.60	1.40
LPS6028-270M	27	± 20	100	13	0.155	1.50	1.32
LPS6028-330M	33	± 20	100	12	0.185	1.35	1.22
LPS6028-360M	36	± 20	100	11	0.215	1.25	1.13
LPS6028-390M	39	± 20	100	11	0.225	1.25	1.10
LPS6028-430M	43	± 20	100	11	0.235	1.20	1.07
LPS6028-470M	47	± 20	100	9.5	0.245	1.15	1.06
LPS6028-510M	51	± 20	100	9.5	0.265	1.05	1.01
LPS6028-620M	62	± 20	100	7.7	0.345	0.95	0.89
LPS6028-680M	68	± 20	100	7.7	0.360	0.95	0.86
LPS6028-750M	75	± 20	100	7.7	0.410	0.90	0.81
LPS6028-820M	82	± 20	100	7.7	0.445	0.90	0.78
LPS6028-910M	91	± 20	100	7.7	0.505	0.80	0.73
LPS6028-101M	100	± 20	100	7.1	0.545	0.75	0.70

Notes:

- 1.All test data is referenced to 20°C ambient.
- 2.Rated current: Isat or Irms, whichever is smaller.
- 3.Isat: DC current at which the inductance drops approximate 30% form its value without current.
- 4.Irms: DC current that causes the temperature rise ( $\Delta T=40^{\circ}\text{C}$ ) form 20°C ambient.

# SMD Inductors(Coils) For Power Line(Wound, Magnetic Shielded) LPS6045 SERIES



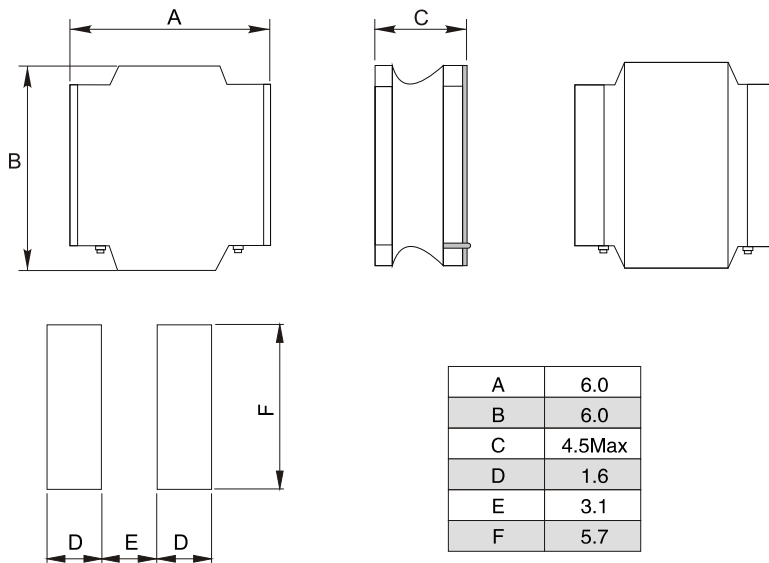
### FEATURES:

- Magnetically shielded by magnetic powder molding
- Miniature size: Mount area: 6x6mm, Height: 4.5mm max.
- Generic use for portable DC to DC converter line.
- High magnetic shield construction should actualize high resolution for EMC protection.
- Available for automatic mounting in tape and reel package.
- The products do not contain lead and support lead-free soldering.

### APPLICATIONS:

- Cellular phones, DVCs, DSCs, PDAs, LCD displays, HDDs, etc

## SHAPE AND DIMENSIONS Dimensions(mm)



## ELECTRICAL CHARACTERISTICS:

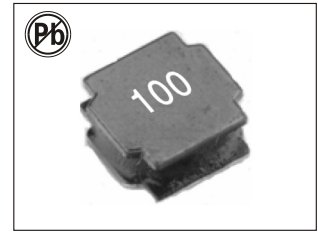
Part No.	Inductance (uH)	Inductance tolerance %	Test frequency KHz	SRF MHz	DCR (Ω) ± 30%	Rated current*	
						Saturation current	Based on temperature rise
LPS6045-R82N	0.82	± 30	100	140	0.008	10.35	5.90
LPS6045-1R0N	1.0	± 30	100	100	0.010	9.85	5.14
LPS6045-1R2N	1.2	± 30	100	100	0.011	8.35	5.40
LPS6045-1R5N	1.5	± 30	100	65	0.012	8.80	4.95
LPS6045-1R8N	1.8	± 30	100	74	0.012	7.60	4.95
LPS6045-2R2N	2.2	± 30	100	52	0.014	6.75	4.60
LPS6045-2R7N	2.7	± 30	100	38	0.015	5.75	4.30
LPS6045-3R6N	3.6	± 30	100	28	0.021	5.25	3.70
LPS6045-4R3M	4.3	± 20	100	23	0.023	4.45	3.50
LPS6045-4R7M	4.7	± 20	100	24	0.026	4.97	3.30

Part No.	Inductance (uH)	Inductance tolerance %	Test frequency KHz	SRF MHz	DCR (Ω) ± 30%	Rated current*	
						Saturation current	Based on temperature rise
LPS6045-5R1M	5.1	± 20	100	23	0.026	4.40	3.30
LPS6045-5R6M	5.6	± 20	100	23	0.029	4.15	3.15
LPS6045-6R2M	6.2	± 20	100	26	0.031	4.43	3.00
LPS6045-6R8M	6.8	± 20	100	20	0.031	3.90	3.00
LPS6045-7R5M	7.5	± 20	100	18	0.034	3.50	2.90
LPS6045-8R2M	8.2	± 20	100	21	0.043	3.90	2.60
LPS6045-9R1M	9.1	± 20	100	17	0.043	3.35	2.60
LPS6045-100M	10	± 20	100	15	0.048	3.20	2.45
LPS6045-120M	12	± 20	100	13	0.058	2.80	2.20
LPS6045-150M	15	± 20	100	12	0.068	2.50	2.05
LPS6045-180M	18	± 20	100	10	0.081	2.20	1.85
LPS6045-220M	22	± 20	100	10	0.089	2.05	1.80
LPS6045-270M	27	± 20	100	9.2	0.102	1.90	1.65
LPS6045-300M	30	± 20	100	7.8	0.132	1.70	1.50
LPS6045-330M	33	± 20	100	7.8	0.137	1.65	1.45
LPS6045-390M	39	± 20	100	7.8	0.180	1.50	1.25
LPS6045-430M	43	± 20	100	7.7	0.200	1.63	1.20
LPS6045-470M	47	± 20	100	6.4	0.200	1.40	1.20
LPS6045-510M	51	± 20	100	6.4	0.207	1.35	1.15
LPS6045-560M	56	± 20	100	6.4	0.221	1.30	1.10
LPS6045-620M	62	± 20	100	6.4	0.235	1.25	1.10
LPS6045-680M	68	± 20	100	6.4	0.289	1.20	1.00
LPS6045-750M	75	± 20	100	5.0	0.305	1.15	0.95
LPS6045-820M	82	± 20	100	4.9	0.341	1.05	0.90
LPS6045-910M	91	± 20	100	4.9	0.359	1.00	0.85
LPS6045-101M	100	± 20	100	4.2	0.433	0.95	0.80
LPS6045-121M	120	± 20	100	4.2	0.484	0.85	0.77
LPS6045-151M	150	± 20	100	4.2	0.580	0.80	0.70
LPS6045-221M	220	± 20	100	3.5	0.834	0.70	0.59
LPS6045-331M	330	± 20	100	2.8	1.000	0.57	0.57

Notes:

- 1.All test data is referenced to 20°C ambient.
- 2.Rated current: Isat or Irms, whichever is smaller.
- 3.Isat: DC current at which the inductance drops approximate 30% form its value without current.
- 4.Irms: DC current that causes the temperature rise (ΔT=40°C) form 20°C ambient.

# SMD Inductors(Coils) For Power Line(Wound, Magnetic Shielded) LPS8030 SERIES



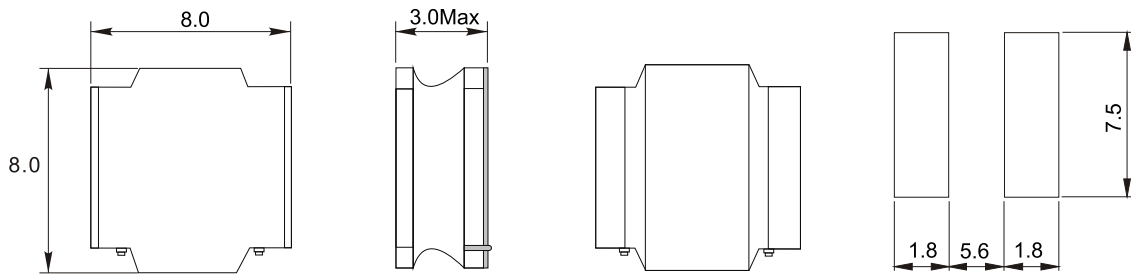
### FEATURES:

- Magnetically shielded by magnetic powder molding
- Miniature size: Mount area: 8x8mm, Height: 3.0mm max.
- Generic use for portable DC to DC converter line.
- High magnetic shield construction should actualize high resolution for EMC protection.
- Available for automatic mounting in tape and reel package.
- The products do not contain lead and support lead-free soldering.

### APPLICATIONS:

- Cellular phones, DVCs, DSCs, PDAs, LCD displays, HDDs, etc

## SHAPE AND DIMENSIONS Dimensions(mm)



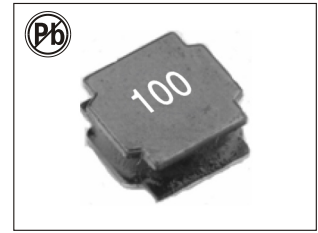
## ELECTRICAL CHARACTERISTICS:

Part No.	Inductance (uH)	Inductance tolerance %	Test frequency KHz	SRF MHz	DCR (Ω) ± 30%	Rated current*	
						Saturation current	Based on temperature rise
LPS8030-1R0N	1.0	± 30	100	120	0.009	7.80	6.20
LPS8030-1R5N	1.5	± 30	100	80	0.012	6.20	5.30
LPS8030-2R2N	2.2	± 30	100	60	0.015	4.90	4.80
LPS8030-3R3M	3.3	± 20	100	50	0.019	4.20	4.30
LPS8030-4R7M	4.7	± 20	100	40	0.022	3.60	4.00
LPS8030-6R8M	6.8	± 20	100	32	0.029	3.00	3.40
LPS8030-100M	10	± 20	100	27	0.033	2.40	3.00
LPS8030-150M	15	± 20	100	20	0.060	2.00	2.20
LPS8030-220M	22	± 20	100	16	0.070	1.75	1.90
LPS8030-330M	33	± 20	100	13	0.120	1.30	1.50
LPS8030-470M	47	± 20	100	11	0.170	1.10	1.30

### Notes:

1. All test data is referenced to 20°C ambient.
2. Rated current: Isat or Irms, whichever is smaller.
3. Isat: DC current at which the inductance drops approximate 30% from its value without current.
4. Irms: DC current that causes the temperature rise (ΔT=40°C) from 20°C ambient.

# SMD Inductors(Coils) For Power Line(Wound, Magnetic Shielded) LPS8040 SERIES



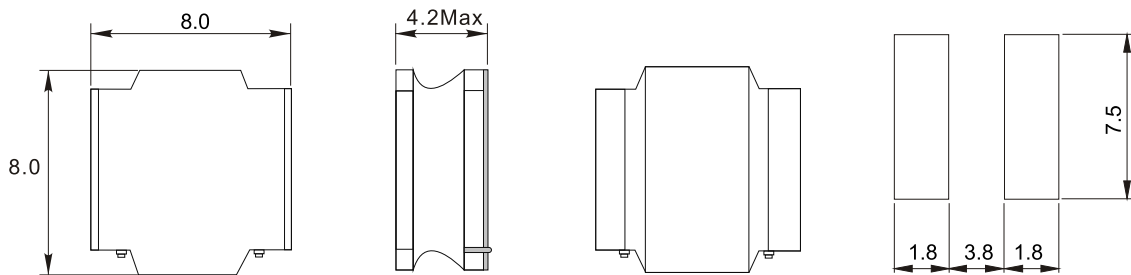
### FEATURES:

- Magnetically shielded by magnetic powder molding
- Miniature size: Mount area: 8x8mm, Height: 4.2mm max.
- Generic use for portable DC to DC converter line.
- High magnetic shield construction should actualize high resolution for EMC protection.
- Available for automatic mounting in tape and reel package.
- The products do not contain lead and support lead-free soldering.

### APPLICATIONS:

- Cellular phones, DVCs, DSCs, PDAs, LCD displays, HDDs, etc

## SHAPE AND DIMENSIONS Dimensions(mm)



## ELECTRICAL CHARACTERISTICS:

Part No.	Inductance (uH)	Inductance tolerarance %	Test frequency KHz	SRF MHz	DCR (Ω) ± 30%	Rated current*	
						Saturation current	Based on temperature rise
LPS8040-R82N	0.82	± 30	100	94	0.008	13.80	6.30
LPS8040-1R0N	1.0	± 30	100	89	0.008	9.85	6.30
LPS8040-1R5N	1.5	± 30	100	67	0.010	8.15	5.65
LPS8040-2R0N	2.0	± 30	100	43	0.012	9.25	5.15
LPS8040-2R2N	2.2	± 30	100	41	0.012	7.10	5.15
LPS8040-3R0N	3.0	± 30	100	32	0.014	6.10	4.70
LPS8040-3R3N	3.3	± 30	100	27	0.017	6.50	4.40
LPS8040-3R9N	3.9	± 30	100	26	0.017	5.75	4.35
LPS8040-4R7N	4.7	± 30	100	24	0.019	5.90	4.10
LPS8040-5R1N	5.1	± 30	100	22	0.019	4.70	4.05
LPS8040-5R6N	5.6	± 30	100	24	0.021	6.00	3.85
LPS8040-6R2N	6.2	± 30	100	20	0.021	4.45	3.85
LPS8040-6R8M	6.8	± 20	100	20	0.024	4.55	3.60
LPS8040-8R2M	8.2	± 20	100	17	0.026	4.20	3.45
LPS8040-100M	10	± 20	100	15	0.029	3.60	3.30
LPS8040-150M	15	± 20	100	12	0.047	2.95	2.60
LPS8040-180M	18	± 20	100	11	0.053	2.70	2.40
LPS8040-220M	22	± 20	100	9.5	0.069	2.40	2.10
LPS8040-270M	27	± 20	100	9.2	0.078	2.15	2.00
LPS8040-330M	33	± 20	100	7.8	0.097	2.05	1.80

Part No.	Inductance (uH)	Inductance tolerarance %	Test frequency KHz	SRF MHz	DCR (Ω) ± 30%	Rated current*	
						Saturation current	Based on temperature rise
LPS8040-360M	36	± 20	100	7.8	0.102	2.00	1.75
LPS8040-390M	39	± 20	100	7.8	0.107	1.95	1.70
LPS8040-430M	43	± 20	100	7.8	0.113	1.90	1.65
LPS8040-470M	47	± 20	100	.4	0.136	1.75	1.55
LPS8040-510M	51	± 20	100	6.4	0.142	1.70	1.50
LPS8040-560M	56	± 20	100	6.4	0.148	1.55	1.45
LPS8040-620M	62	± 20	100	6.4	0.182	1.50	1.30
LPS8040-680M	68	± 20	100	4.9	0.196	1.45	1.25
LPS8040-750M	75	± 20	100	4.9	0.211	1.35	1.20
LPS8040-820M	82	± 20	100	5.9	0.225	1.30	1.15
LPS8040-910M	91	± 20	100	4.9	0.272	1.20	1.05
LPS8040-101M	100	± 20	100	4.2	0.290	1.15	1.00
LPS8040-121M	120	± 20	100	3.5	0.334	1.05	0.95
LPS8040-221M	220	± 20	100	3.5	0.599	0.85	0.80
LPS8040-331M	330	± 20	100	2.8	0.889	0.68	0.64

Notes:

1. All test data is referenced to 20°C ambient.
2. Rated current: Isat or Irms, whichever is smaller.
3. Isat: DC current at which the inductance drops approximate 30% form its value without current.
4. Irms: DC current that causes the temperature rise ( $\Delta T=40^{\circ}\text{C}$ ) form 20°C ambient.