



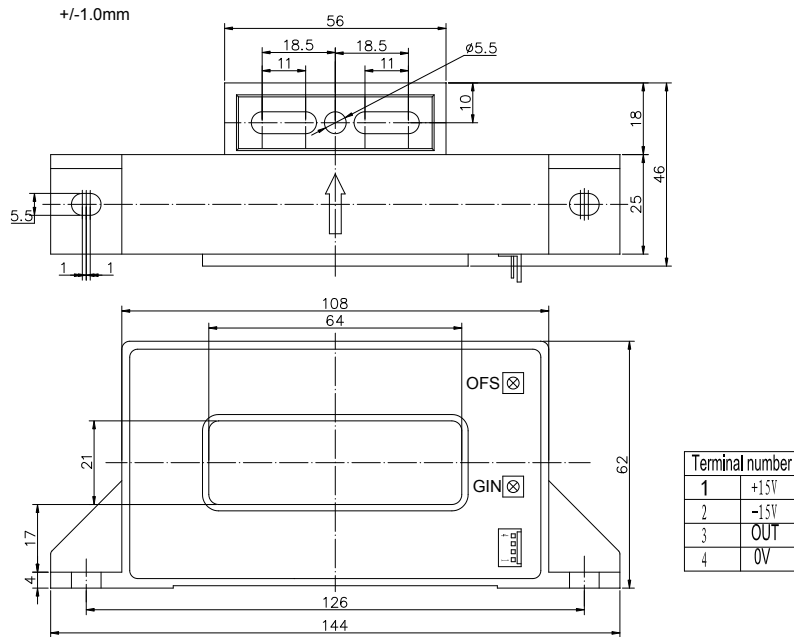
HKC-HAX Series Hall Effect Current Sensor

HKC-HAX Series current sensor with a galvanic isolation between primary and secondary circuit. It provides accurate electronic measurement of DC, AC or pulsed currents.

ELECTRICAL DATA

	HKC500H AX	HKC1000HA X	HKC1500H AX	HKC2000H AX	HKC2500H AX	
Rated input current(IPN)	500	1000	1500	2000	2500	A
Test current range(IPM)	1500	3000	4500	5500	5500	A
Rated output voltage(VOU _T)	4±1%					V
Supply voltage	±15±5%					V
Offset voltage(V _O)	≤±30					mV
Magnetic offset voltage	≤±25					mV
Offset voltage Drift(TCV _{OE})	≤±1.0					mV/°C
Offset voltage Drift(TCV _{OUT})	≤±2.0					mV/°C
Linearity	≤±1					%FS
Response time	≤7					μS
Insulation voltage(50HZ/60Hz,1min)	3					KV
Operating Temperature	-25~+85					°C
Storage Temperature	-25~+85					°C

MUTING DIMENSIONS(FOR REFERENCE ONLY)



INSTRUCTIONS FOR USE

1. When the current will be measured goes through a sensor, the voltage will be measured at the output end. (Note: The false wiring may result in the damage of the sensor).
2. The output amplitude of the sensor can be adjusted according to users requirements.
3. Custom design in the nominal input current and the output voltage available