



# SHAANXI SHINHOM ENTERPRISE CO.,LTD

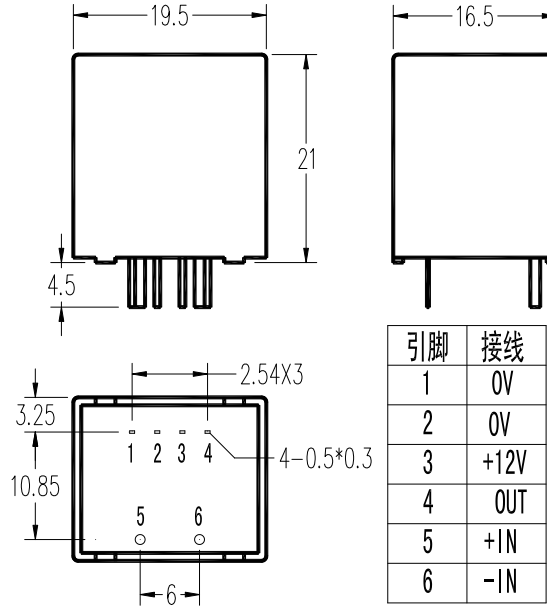
## HBC-SY12MJ Series Hall Effect Current Sensor

HBC-SY12MJ Series current sensor with a galvanic isolation between primary and secondary circuit. It provides accurate electronic measurement of DC, AC or pulsed currents.

### ELECTRICAL DATA(25°C)

	HBC03SY12MJ	HBC05SY12MJ	HBC10SY12MJ	HBC20SY12MJ	HBC25SY12MJ	
Rated input current(IP)	3	5	10	20	25	A
Test current range	9	15	30	60	75	A
Input pins size	∅ 0.65	∅ 0.8	∅ 1.0	∅ 1.2	∅ 1.4	mm
Turns ratio	4: 1200	2: 1000	1: 1000	1: 1333	1: 1500	
Rated output voltage	0.625±0.5%					V
Supply voltage	12±5%					V
Static power consumption current	≤15					mA
Zero current Offset	2.5V±20					mV
Offset voltage Drift	±1.0					mV/°C
Linearity	±0.5					%FS
Response time	<1					μS
Insulation voltage(50HZ, 1min)	2.5					KV
Operating Temperature	-20~+85					°C
Storage Temperature	-40~+105					°C

### MUTING DIMENSIONS(FOR REFERENCE ONLY)



### INSTRUCTIONS FOR USE

1. When the current will be measured goes through a sensor, the voltage will be measured at the output end. (Note: The false wiring may result in the damage of the sensor).
2. The output amplitude of the sensor can be adjusted according to users requirements.
3. Custom design in the nominal input current and the output voltage available