

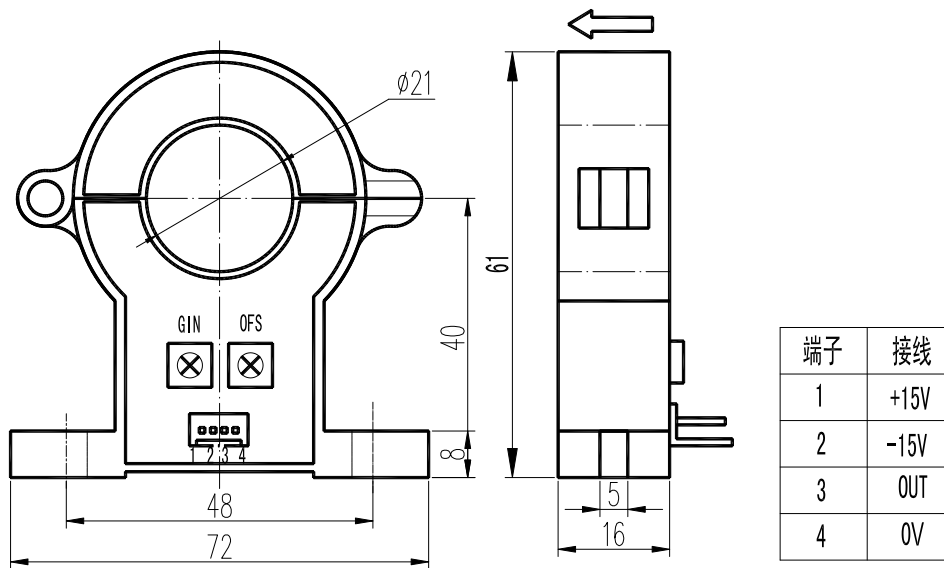
HKC-EKA Series removable Hall Effect Current Sensor

HKC-EKA Series current sensor with a galvanic isolation between primary and secondary circuit. It provides accurate electronic measurement of DC, AC or pulsed currents.

ELECTRICAL DATA

	HKC100EKA	HKC200EKA	HKC300EKA	HKC400EKA	HKC500EKA	
Rated input current	100	200	300	400	500	A
Test current range	200	400	600	800	1000	A
Rated output voltage	4±1%					V
Supply voltage	±15 ±5%					V
Offset voltage	≤±20					mV
Magnetic offset voltage	≤±30		≤±20			mV
Offset voltage Drift	≤±1.5		≤±1			mV/°C
Linearity	≤±1					%FS
Response time	≤5					μS
Insulation voltage	(50HZ,1min)2.5					KV
Operating Temperature	-40~+85					°C
Storage Temperature	-40~+105					°C

MUTING DIMENSIONS(FOR REFERENCE ONLY)



INSTRUCTIONS FOR USE

1. When the current will be measured goes through a sensor, the voltage will be measured at the output end. (Note: The false wiring may result in the damage of the sensor).
2. The output amplitude of the sensor can be adjusted according to users requirements.
3. Custom design in the nominal input current and the output voltage available