

SMD Inductors(Coils) For Power Line(Wound, Magnetic Shielded) LPS3015 SERIES



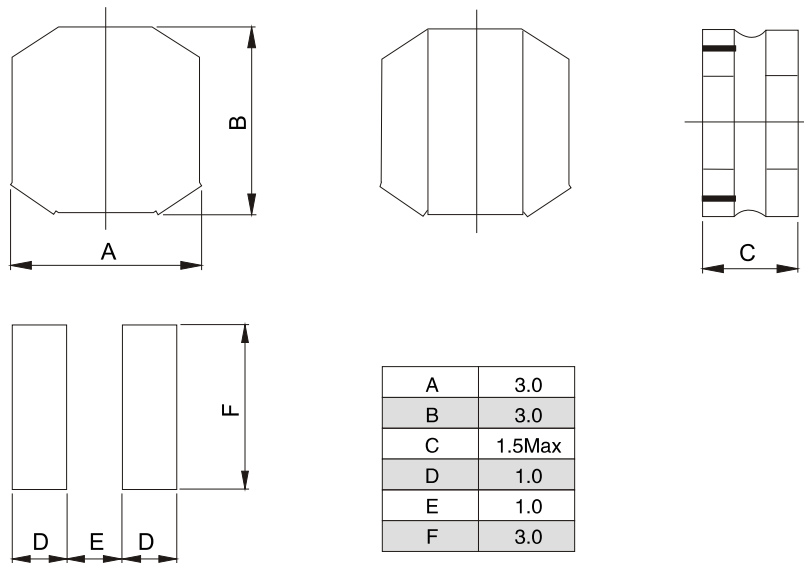
FEATURES:

- Magnetically shielded by magnetic powder molding
- Miniature size: Mount area: 3x3mm, Height: 1.5mm max.
- Generic use for portable DC to DC converter line.
- High magnetic shield construction should actualize high resolution for EMC protection.
- Available for automatic mounting in tape and reel package.
- The products do not contain lead and support lead-free soldering.

APPLICATIONS:

- Cellular phones, DVCs, DSCs, PDAs, LCD displays, HDDs, etc

SHAPE AND DIMENSIONS Dimensions(mm)



ELECTRICAL CHARACTERISTICS:

Part No.	Inductance (uH)	Inductance tolerance %	Test frequency MHz	DCR Max (Ω)	DCR Typ (Ω)	Rated current*		
						Based on inductance change		Based on temperature rise
						Max	Typ	
LPS3015-1R0N	1.0	± 30	1.0	0.058	0.048	2.00	2.20	2.10
LPS3015-1R5N	1.5	± 30	1.0	0.075	0.062	1.50	1.70	1.85
LPS3015-2R2M	2.2	± 20	1.0	0.084	0.070	1.35	1.50	1.75
LPS3015-3R3M	3.3	± 20	1.0	0.112	0.093	1.15	1.30	1.50
LPS3015-4R7M	4.7	± 20	1.0	0.136	0.113	1.00	1.10	1.35
LPS3015-6R8M	6.8	± 20	1.0	0.216	0.180	0.92	1.00	1.05
LPS3015-100M	10	± 20	1.0	0.288	0.240	0.70	0.78	0.94
LPS3015-150M	15	± 20	1.0	0.456	0.380	0.58	0.65	0.75
LPS3015-220M	22	± 20	1.0	0.660	0.550	0.48	0.54	0.62
LPS3015-330M	33	± 20	1.0	0.984	0.820	0.39	0.43	0.51
LPS3015-470M	47	± 20	1.0	1.500	1.250	0.32	0.35	0.41

NOTES:

1. Rated current: Value obtained when current flows and the temperature has risen to 40°C or when DC current flows and the nominal value of inductance has fallen by 30%, whichever is smaller.
2. Operating temperature range: -40 to +105°C (Including self-temperature rise)