

50/60HZ PCB MOUNT TRANSFORMERS – UI RANGE

40W 48 × 17–UI 4817 SERIES

FEATURES:

- 115 V–230 V supply voltage by serie/parallel connection
- Vacuum filling
- Two compartments bobbins
- Degree of protection IP 00

OPTIONS:

- Bulk packaging is standard
- Custom design available

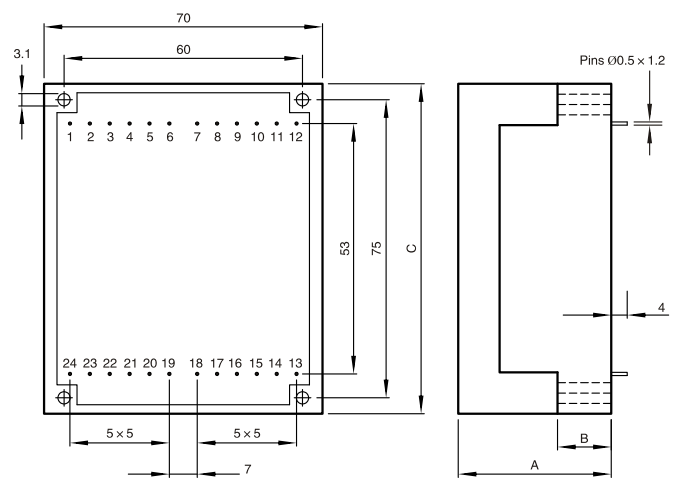
COMMON APPLICATIONS:

- Medical equipments
- Industrial equipments
- Industrial controls
- Test equipment
- Industrial computers
- Avionics & telecom

ELECTRICAL CHARACTERISTICS

PRIMARY VOLTAGE: 115~230				
Part Number	Secondary voltage V	Secondary Current mA	No-load voltage V	Ambient Temperature °C
UI 481767	2 × 6	2 × 3300	2 × 6.7	T50B
UI 481768	2 × 9	2 × 2222	2 × 10.0	T50B
UI 481769	2 × 12	2 × 1667	2 × 13.4	T50B
UI 481770	2 × 15	2 × 1333	2 × 16.7	T50B
UI 481771	2 × 18	2 × 1111	2 × 20.1	T50B
UI 481772	2 × 24	2 × 833	2 × 26.8	T50B

PHYSICAL CHARACTERISTICS



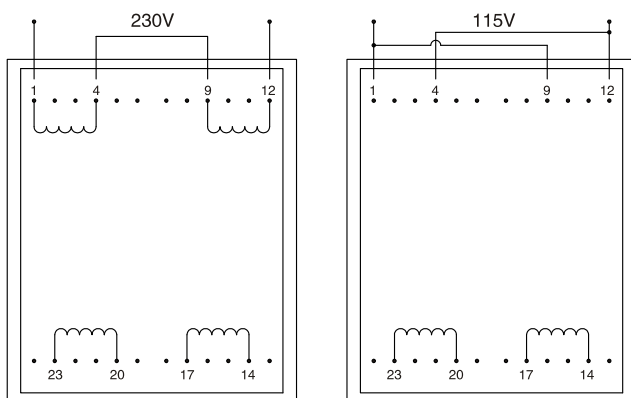
All dimensions in mm

TECHNICAL INFORMATION

- Resin class UL 94 VO
- Fuse protection in secondary winding (see diagram)
- 100% tested production
- Conform to EN 61558 Approval under process
- UL 506 approved

CIRCUIT	RATING	A	B	C	WEIGHT(g)
UI39 × 8	10VA	38.5	13.5	83	285
UI39 × 10.2	14VA	48.5	14.5	86	335

Possible primary connections



Possible secondary connections

