

STANDARD GAIN HORN ANTENNA FAMILY

INSTRUCTION OF STANDARD GAIN ANTENNA

In order to meet higher requirements of standard gain antenna in military and commercial applications, on the basis of 17 years development on standard gain antennas, and combining of products development situation of international authority companies, Shinhom Microwave prompts the comprehensive upgrade of standard gain horn antenna in structure, gain accuracy and credibility of gain value. Improve and adjust design, manufacturing process, test method, model definition, and authority of gain VS frequency data provided etc. To meet the requirements of standard gain antenna in different industries and frequency range of customer's applications, the operating frequency range of standard gain horn antenna covers from 0.32GHz to 300 GHz. The most common gain values available are 25, 20, 15 and 10 dB. HD-SGA series standard gain antenna are composed of HD-SGAH standard gain horn antenna series, HD-SGAD standard gain symmetrical dipole antenna series, the series of HD-SGACD standard gain folded dipole antenna, the series of HD-SGATD standard gain dipole antenna of variable length, the series of HD-SGABM ternary yagi standard gain antenna, the series of HD-SGARD binary half-wavelength dipole standard gain antenna and HD-SGACP circular polarized standard antenna gain series. HD-SGAH series standard gain horn antenna can achieve the standard gain of 15, 10, 20 and 25dB. HD-SGAD standard gain symmetrical dipole antenna series, the series of HD-SGACD standard gain folded dipole antenna, the series of HD-SGATD standard gain dipole antenna of variable length provide the standard gain of 2.15dB. The series of HD-SGABM ternary yagi standard gain antenna provide the standard gain of 5.3dB. The series of HD-SGARD binary half-wavelength dipole standard gain antenna provide the standard gain of 7.7dB. In low-frequency, HD-SGAH series standard gain horn antenna is made of aluminum with argon arc welding or brazing welding. In high-frequency, it is copper with silver brazing welding. In UHF, it is made of precision electro-processing. Characteristic is reliable structure, stable performance, precision calibration and high purity of linear polarization. It widely is used in standard antenna of antenna gain measurement, auxiliary transmitting antenna of antenna measurement, receiving antenna of electric wave detection, jammer and transmitting or receiving antenna of other electronic equipment.

GAIN VALUE OF STANDARD GAIN ANTENNA

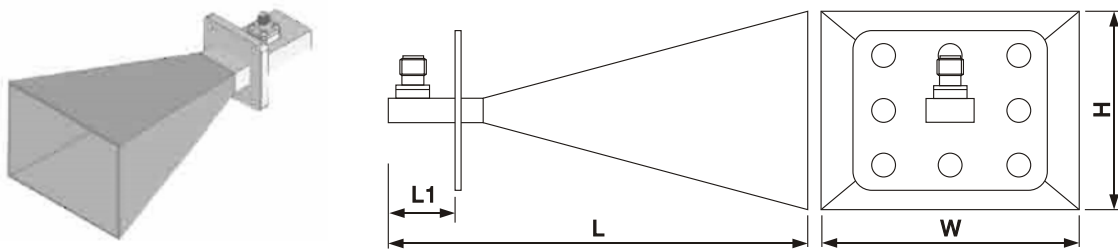
In order to ensure effective calibration and transmit of gain values of HD-SGA series standard gain antenna, according to the part of accurate calibration measurement data and analysis, we confirm the reliability calibration methods of gain data. It is based accurate calculation formula+ calibration correction factor. Correction factors are: the different structures correction factors, different frequency range correction factors, different materials correction factors, different coating ways correction factors, different VSWR correction factors etc.

STANDARD GAIN HORN ANTENNA FAMILY

25 DB STANDARD GAIN HORN ANTENNA

25 dB Standard gain antenna adopt HD-SGAH standard gain horn antenna, designed by optimum pyramid horn design principles. Frequency range covers from 0.32 to 300 GHz, each antenna covers the corresponding whole waveguide bandwidth. Because of high gain value of 25 dB, its disadvantage is large volume, especially due to consideration of diameter difference, relative aperture size and antenna length is relatively long, so it's a few inconvenient in use. Regularly it is used in high gain measurement or millimeter wave antenna measurement or as transmitting and receiving antennas of wave detection in system. For the convenience of all kinds of users to select, 25 dB standard gain antenna includes Waveguide Input, Built-in Coaxial Input and Waveguide Input + Waveguide to Coaxial Adapter. For Waveguide Input type, the typical value of Max VSWR is 1.2, Built-in Coaxial Input and Waveguide Input + Waveguide to Coaxial Adapter types, the typical value of Max. VSWR is 1.5.

Built-in Coaxial Input, 25 dB Standard Gain Horn Antenna



ELECTRICAL CHARACTERISTICS:

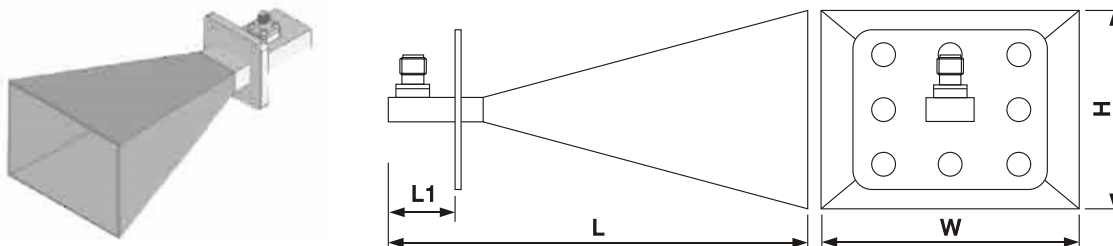
Part No.	Freq Range (GHz)	Gain (dB)	3dB Beamwidth (Nom)	Dimensions(mm)				WG Type		Connector
				L	L1	W	H	IEC	EIA	
SH-100SGAH25+N	8.20-12.40	25	10°	775	40	35	180	BJ100	WR90	N
SH-120SGAH25+S	9.84-15.0	25	10°	550	25	30	155	BJ120	WR75	SMA
SH-140SGAH25+S	11.9-18.0	25	10°	547	25	27	120	BJ140	WR62	SMA
SH-180SGAH25+S	14.5-22.0	25	10°	427	23	27	104	BJ180	WR51	SMA
SH-220SGAH25+K	17.6-26.7	25	10°	375	20	25	85	BJ220	WR42	K2.92mm
SH-260SGAH25+K	21.7-33.0	25	10°	327	20	27	70	BJ260	WR34	K2.92mm
SH-320SGAH25+K	26.5-40.0	25	10°	266	15	26	56	BJ320	WR28	K2.92mm

STANDARD GAIN HORN ANTENNA FAMILY

20 DB STANDARD GAIN HORN ANTENNA

20dB Standard gain antenna adopts HD-SGAH standard gain horn antenna. Its main feature is moderate volume, light weight, high gain and easy to use. Regularly it is used in auxiliary transmitting antenna of portable antenna measurements, receiving antenna and jammer of wave detection and other transmitting or receiving antenna of electronic devices. For the convenience of all kinds of users to select, 20 dB standard gain antenna includes Waveguide Input, Built-in Coaxial Input and Waveguide Input + Waveguide to Coaxial Adapter. For Waveguide Input type, the typical value of Max. VSWR is 1.2, Built-in Coaxial Input and Waveguide Input + Waveguide to Coaxial Adapter types, the typical value of Max VSWR is 1.5.

Built-in Coaxial Input, 20 dB Standard Gain Horn Antenna



ELECTRICAL CHARACTERISTICS:

Part No.	Freq Range (GHz)	Gain (dB)	3dB Beamwidth (Nom)	Dimensions(mm)				WG Type		Connector
				L	L1	W	H	IEC	EIA	
SH-32SGAH20N	2.60-3.95	20	18°	725	75	476	346	BJ32	WR284	N
SH-40SGAH20N	3.22-4.90	20	18°	550	80	345	264	BJ40	WR229	N
SH-48SGAH20N	3.94-5.99	20	18°	475	75	280	212	BJ48	WR187	N
SH-58SGAH20N	4.64-7.05	20	18°	435	75	245	175	BJ58	WR159	N
SH-70SGAH20N	5.38-8.17	20	18°	325	60	197	153	BJ70	WR137	N
SH-84SGAH20N	6.57-9.99	20	18°	315	50	180	128	BJ84	WR112	N
SH-100SGAH20N	8.20-12.40	20	18°	245	450	138	107	BJ100	WR90	N
SH-120SGAH20S	9.84-15.0	20	18°	220	45	115	83	BJ120	WR75	SMA
SH-140SGAH20S	11.9-18.0	20	18°	170	45	93	72	BJ140	WR62	SMA
SH-180SGAH20S	14.5-22.0	20	18°	165	45	80	56	BJ180	WR51	SMA
SH-220SGAH20K	17.6-26.7	20	18°	155	45	70	49	BJ220	WR42	K2.92mm
SH-260SGAH20K	21.7-33.0	20	18°	128	33	54	42	BJ260	WR34	K2.92mm
SH-320SGAH20K	26.5-40.0	20	18°	114	34	47	33	BJ320	WR28	K2.92mm

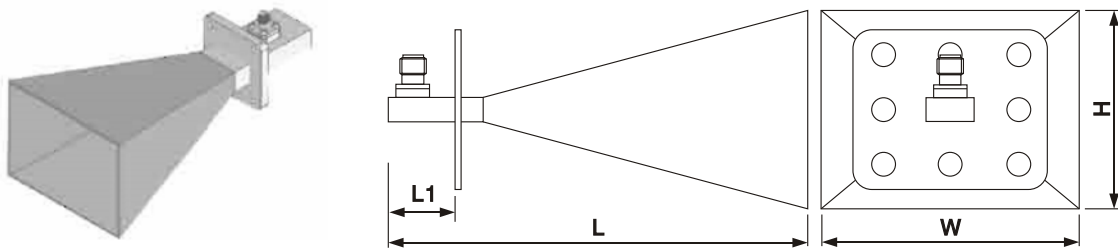
STANDARD GAIN HORN ANTENNA FAMILY

15 DB STANDARD GAIN HORN ANTENNA

15 dB Standard gain antenna adopt HD-SGAH standard gain horn antenna. Its main feature is moderate volume, light weight, easy to use. Regularly it is used in auxiliary transmitting antenna of portable antenna measurements, receiving antenna and jammer of wave detection and other transmitting or receiving antenna of electronic devices.

For the convenience of all kinds of users to select, 15dB standard gain antenna includes Waveguide Input, Built-in Coaxial Input and Waveguide Input + Waveguide to Coaxial Adapter. For Waveguide Input type, the typical value of Max. VSWR is 1.2, Built-in Coaxial Input and Waveguide Input + Waveguide to Coaxial Adapter types, the typical value of Max VSWR is 1.5.

Built-in Coaxial Input, 15 dB Standard Gain Horn Antenna



ELECTRICAL CHARACTERISTICS:

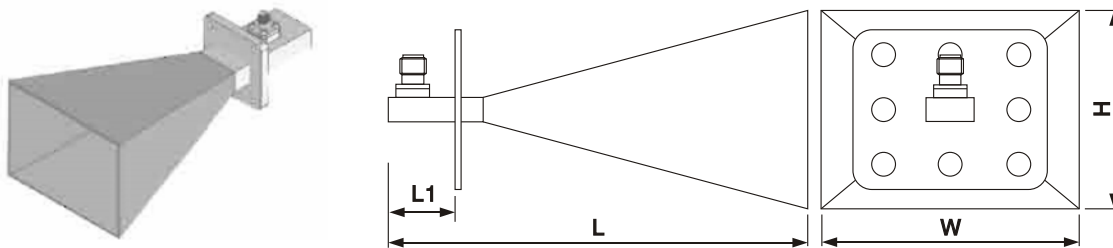
Part No.	Freq Range (GHz)	Gain (dB)	3dB Beamwidth (Nom)	Dimensions(mm)				WG Type		Connector
				L	L1	W	H	IEC	EIA	
SH-9SGAH15N	0.75-1.15	15	30°	820	250	850	580	BJ9	WR975	N
SH-12SGAH15N	0.96-1.46	15	30°	700	200	700	480	BJ12	WR770	N
SH-14SGAH15N	1.13-1.73	15	30°	520	170	550	380	BJ14	WR650	N
SH-18SGAH15N	1.45-2.20	15	30°	430	130	456	316	BJ18	WR510	N
SH-22SGAH15N	1.72-2.61	15	30°	360	110	380	265	BJ22	WR430	N
SH-26SGAH15N	2.17-3.30	15	30°	290	90	297	216	BJ26	WR340	N
SH-32SGAH15N	2.60-3.95	15	30°	255	75	275	190	BJ32	WR284	N
SH-40SGAH15N	3.22-4.90	15	30°	210	80	205	145	BJ40	WR229	N
SH-48SGAH15N	3.94-5.99	15	30°	195	75	169	119	BJ48	WR187	N
SH-58SGAH15N	4.64-7.05	15	30°	165	75	141	97	BJ58	WR159	N
SH-70SGAH15N	5.38-8.17	15	30°	145	60	122	84	BJ70	WR137	N
SH-84SGAH15N	6.57-9.99	15	30°	125	50	105	71	BJ84	WR112	N
SH-100SGAH15S	8.20-12.40	15	30°	105	45	81	56	BJ100	WR90	SMA
SH-120SGAH15S	9.84-15.0	15	30°	95	45	68	47	BJ120	WR75	SMA
SH-140SGAH15S	11.9-18.0	15	30°	100	45	57	40	BJ140	WR62	SMA
SH-180SGAH15K	14.5-22.0	15	30°	80	45	47	33	BJ180	WR51	K2.92
SH-220SGAH15K	17.6-26.7	15	30°	75	45	39	27	BJ220	WR42	K2.92
SH-260SGAH15K	21.7-33.0	15	30°	58	33	32	22	BJ260	WR34	K2.92
SH-320SGAH15K	26.5-40.0	15	30°	59	34	26	19	BJ320	WR28	K2.92

STANDARD GAIN HORN ANTENNA FAMILY

10 DB STANDARD GAIN HORN ANTENNA

10 dB Standard gain antenna adopt HD-SGAH standard gain horn antenna. Its main feature is small volume, light weight, easy to use. Regularly it is used in auxiliary transmitting antenna of portable antenna measurements, receiving antenna and jammer of wave detection and other transmitting or receiving antenna of electronic devices. For the convenience of all kinds of users to select, 10dB standard gain antenna includes Waveguide Input, Built-in Coaxial Input and Waveguide Input + Waveguide to Coaxial Adapter. For Waveguide Input type, the typical value of Max. VSWR is 1.3, Built-in Coaxial Input and Waveguide Input + Waveguide to Coaxial Adapter types, the typical value of Max. VSWR is 1.5.

Built-in Coaxial Input, 10 dB Standard Gain Horn Antenna

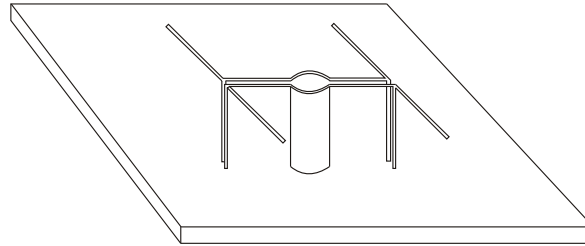


ELECTRICAL CHARACTERISTICS:

Part No.	Freq Range (GHz)	Gain (dB)	3dB Beamwidth (Nom)	Dimensions(mm)				WG Type		Connector
				L	L1	W	H	IEC	EIA	
SH-3SGAH10N	0.32-0.49	10	55°	850	300	1150	800	BJ3	WR2300	N
SH-4SGAH10N	0.35-0.53	10	55°	800	300	1050	720	BJ4	WR2100	N
SH-5SGAH10N	0.41-0.62	10	55°	800	400	900	660	BJ5	WR1800	N
SH-6SGAH10N	0.49-0.75	10	55°	700	350	700	500	BJ6	WR1500	N
SH-8SGAH10N	0.64-0.98	10	55°	590	290	620	440	BJ8	WR1150	N
SH-9SGAH10N	0.75-1.15	10	55°	480	250	480	336	BJ9	WR975	N
SH-12SGAH10N	0.96-1.46	10	55°	400	200	400	280	BJ12	WR770	N
SH-14SGAH10N	1.13-1.73	10	55°	370	170	315	235	BJ14	WR650	N
SH-18SGAH10N	1.45-2.20	10	55°	310	130	249	184	BJ18	WR510	N
SH-22SGAH10N	1.72-2.61	10	55°	260	110	209	154	BJ22	WR430	N
SH-26SGAH10N	2.17-3.30	10	55°	200	90	165	125	BJ26	WR340	N
SH-32SGAH10N	2.60-3.95	10	55°	175	75	144	116	BJ32	WR284	N
SH-40SGAH10N	3.22-4.90	10	55°	150	80	113	88	BJ40	WR229	N
SH-48SGAH10N	3.94-5.99	10	55°	145	75	98	73	BJ48	WR187	N
SH-58SGAH10N	4.64-7.05	10	55°	135	75	83	63	BJ58	WR159	N
SH-70SGAH10N	5.38-8.17	10	55°	110	60	57	42	BJ70	WR137	N
SH-84SGAH10N	6.57-9.99	10	55°	95	50	57	42	BJ84	WR112	N
SH-100SGAH10S	8.20-12.40	10	55°	75	45	47	37	BJ100	WR90	SMA
SH-120SGAH10S	9.84-15.0	10	55°	75	45	40	29	BJ120	WR75	SMA
SH-140SGAH10S	11.9-18.0	10	55°	75	45	37	27	BJ140	WR62	SMA
SH-180SGAH10K	14.5-22.0	10	55°	75	45	30	20	BJ180	WR51	K2.92
SH-220SGAH10K	17.6-26.7	10	55°	75	45	24	17	BJ220	WR42	K2.92
SH-260SGAH10K	21.7-33.0	10	55°	53	33	20	14	BJ260	WR34	K2.92
SH-320SGAH10K	26.5-40.0	10	55°	54	34	17	12	BJ320	WR28	K2.92

STANDARD GAIN HORN ANTENNA FAMILY

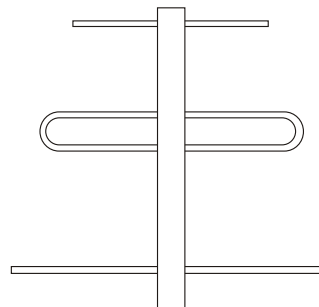
SH-SGARD BINARY HALF-WAVELENGTH DIPOLE STANDARD GAIN ANTENNA



ELECTRICAL CHARACTERISTICS:

Part No.	Freq Range (MHz)	VSWR (Max)	Gain (dB)	Connector
SH-1SGAR7.7N	30-160	1.5	7.7	N-50K
SH-3SGAR7.7N	160-350	1.5	7.7	N-50K
SH-5SGAR7.7N	350-650	1.5	7.7	N-50K
SH-8SGAR7.7N	650-1000	1.5	7.7	N-50K

SH-SGABM TERNARY YAGI STANDARD GAIN ANTENNA

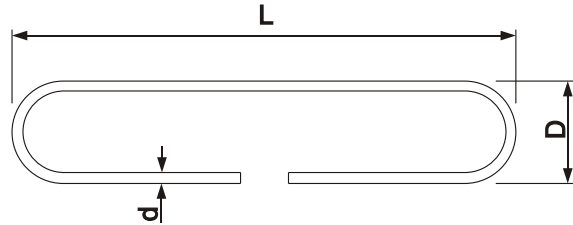


ELECTRICAL CHARACTERISTICS:

Part No.	Freq Range (MHz)	VSWR (Max)	Gain (dB)	Connector
SH-1SGABM5.3N	30-160	1.5	5.3	N-50K
SH-3SGABM5.3N	160-350	1.5	5.3	N-50K
SH-5SGABM5.3N	350-650	1.5	5.3	N-50K
SH-8SGABM5.3N	650-1000	1.5	5.3	N-50K

STANDARD GAIN HORN ANTENNA FAMILY

SH-SGAC STANDARD GAIN FOLDED DIPOLE ANTENNA



ELECTRICAL CHARACTERISTICS:

Part No.	Freq Range (MHz)	Dimension(mm)			VSWR (Max)	Gain (dB)	Connector
		L	D	d			
SH-1SGAC2N	30-160	0.465	75	13	13	2.15	N-50K
SH-3SGAC2N	160-350	0.465	45	8-13	8-13	2.15	N-50K
SH-5SGAC2N	350-650	0.465	25	4-8	4-8	2.15	N-50K
SH-8SGAC2N	650-1000	0.465	12.5	4	4	2.15	N-50K

SH-SGAD STANDARD GAIN SYMMETRICAL DIPOLE ANTENNA



ELECTRICAL CHARACTERISTICS:

Part No.	Freq Range (MHz)	Gain (dB)	VSWR (Max)	L(mm)	W(mm)	Connector
SH-5SGAD2N	450-500	2	1.5	298.6	319	N-50K
SH-9SGAD2N	800-1000	2	1.5	173.6	175	N-50K
SH-157SGAD2N	157 ± 2	2	1.5	552.7	1145	N-50K
SH-137SGAD2N	137.55 ± 2	2	1.5	620.7	1308	N-50K
SH-15SGAD2N	1450-1550	2	1.5	150	107	N-50K
SH-450SGAD2N	450-500	2	1.5	231	362	N-50K
SH-950SGAD2N	950	2	1.5	133	190	N-50K

STANDARD GAIN HORN ANTENNA FAMILY

CIRCULAR POLARIZED STANDARD GAIN ANTENNA



ELECTRICAL CHARACTERISTICS:

Part No.	Freq Range (MHz)	Band width %	Gain (dB)	Axial Ratio (dB)	VSWR (Max)	Connector
SH-1040SGACPS7N	1-4	10	7	2	1.5	N-50K
		20		3		
		30		2		
		40		2		

SH-SGACPH CIRCULAR POLARIZED STANDARD GAIN ANTENNA



ELECTRICAL CHARACTERISTICS:

Part No.	Freq Range (MHz)	Band width %	Gain (dB)	Axial Ratio (dB)	VSWR (Max)	Connector
SH-1040SGACPH7N	1-4	10	7	2	1.6	N-50K
		20		3	2	
SH-4080SGACPH10N	4-8	5	10	1	1.6	N-50K
		15		3	2	
SH-84SGACPH10S	7-10	5	10	0.5	1.5	SMA-50K
		15		2	1.8	

Part No.	Freq Range (MHz)	Band width %	Gain (dB)	Axial Ratio (dB)	VSWR (Max)	Connector
SH-84SGACPH10	7-10	5	10	0.5	1.3	FBP84
		15		2		
SH-84SGACPH15S	7-10	5	15	0.5	1.5	SMA-50K
		15		2		
SH-84SGACPH15	7-10	5	15	0.5	1.3	FBP84
		15		2		
SH-100SGACPH10S	8-12.4	5	10	0.5	1.5	SMA-50K
		15		2		
SH-100SGACPH10	8-12.4	5	10	0.5	1.3	FBP100
		15		2		
SH-100SGACPH15S	8-12.4	5	15	0.5	1.5	SMA-50K
		15		2		
SH-100SGACPH15	8-12.4	5	15	0.5	1.3	FBP100
		15		2		
SH-120SGACPH10S	10-15	5	10	0.5	1.6	SMA-50K
		15		2		
SH-120SGACPH10	10-15	5	10	0.5	1.3	FBP120
		15		2		
SH-120SGACPH15S	10-15	5	15	0.5	1.6	SMA-50K
		15		2		
SH-120SGACPH15	10-15	5	15	0.5	1.3	FBP140
		15		2		
SH-140SGACPH10S	12.4-18	5	10	0.5	1.6	K2.92-50K
		15		2		
SH-140SGACPH10	12,4-18	5	10	0.5	1.3	FBP180
		15		2		
SH-140SGACPH15S	12.4-18	5	15	0.5	1.6	K2.92-50K
		15		2		
SH-140SGACPH15	12.4-18	5	15	0.5	1.3	FBP180
		15		2		
SH-180SGACPH10K	15-22	5	10	0.5	1.6	K2.92-50K
		15		2		
SH-180SGACPH10	15-22	5	10	0.5	1.35	FBP180
		15		2		
SH-180SGACPH1K	15-22	5	15	0.5	1.6	K2.92-50K
		15		2		
SH-180SGACPH15	15-22	5	15	0.5	1.35	FBP220
		15		2		
SH-180SGACPH20K	15-22	5	20	0.5	1.6	K2.92-50K
		15		2		
SH-180SGACPH20	15-22	5	20	0.5	1.35	FBP220
		15		2		
SH-220SGACPH10K	15-22	5	10	0.5	1.6	K2.92-50K
		15		2		
SH-220SGACPH10	15-22	5	10	0.5	1.35	FBP220
		15		2		
SH-220SGACPH15K	15-22	5	15	0.5	1.6	K2.92-50K
		15		0.5		
SH-220SGACPH15	15-22	5	15	2	1.35	FBP260
		15		0.5		
SH-220SGACPH20K	15-22	5	20	2	1.6	K2.92-50K
		15		0.5		
SH-220SGACPH20	15-22	5	20	2	1.35	FBP260
		15		0.5		
SH-260SGACPH10K	22-33	5	10	2	1.6	K2.92-50K
		15		0.5		

Part No.	Freq Range (MHz)	Band width %	Gain (dB)	Axial Ratio (dB)	VSWR (Max)	Connector
SH-260SGACPH10	22-33	5	10	0.5	1.35	FBP260
		15		2		
SH-260SGACPH15K	22-33	5	15	0.5	1.6	K2.92-50K
		15		2		
SH-260SGACPH15	22-33	5	15	0.5	1.35	FBP260
		15		2		
SH-260SGACPH20K	22-33	5	20	0.5	1.6	K2.92-50K
		15		2		
SH-260SGACPH20	22-33	5	20	0.5	1.35	FBP260
		15		2		
SH-320SGACPH10K	26.5-40	5	10	0.5	1.6	K2.92-50K
		15		2		
SH-320SGACPH10	26.5-40	5	10	0.5	1.35	FBP320
		15		2		
SH-320SGACPH15K	26.5-40	5	15	0.5	1.6	K2.92-50K
		15		2		
SH-320SGACPH15	26.5-40	5	15	0.5	1.35	FBP320
		15		2		
SH-320SGACPH20K	26.5-40	5	20	0.5	1.6	K2.92-50K
		15		2		
SH-320SGACPH20	26.5-40	5	20	0.5	1.35	FBP320
		15		2		
SH-400SGACPH10	33-50	5	10	1	1.5	FUGP400
		15		3		
SH-400SGACPH15	33-50	5	15	1	1.5	FUGP400
		15		3		
SH-400SGACPH20	33-50	5	20	1	1.5	FUGP400
		15		3		
SH-500SGACPH10	40-60	5	10	1	1.5	FUGP500
		15		3		
SH-500SGACPH15	40-60	5	15	1	1.5	FUGP500
		15		3		
SH-500SGACPH20	40-60	5	20	1	1.5	FUGP500
		15		3		
SH-600SGACPH10	50-75	5	10	1	1.5	FUGP600
		15		3		
SH-600SGACPH15	50-75	5	15	1	1.5	FUGP600
		15		3		
SH-600SGACPH20	50-75	5	20	1	1.5	FUGP600
		15		3		
SH-740SGACPH10	60-90	5	10	1	1.5	FUGP740
		15		3		
SH-740SGACPH15	60-90	5	15	1	1.5	FUGP740
		15		3		
SH-740SGACPH20	60-90	5	20	1	1.5	FUGP740
		15		3		
SH-900SGACPH10	75-110	5	10	1	1.6	FUGP900
		15		3		
SH-900SGACPH15	75-110	5	15	1	1.6	FUGP900
		15		3		
SH-900SGACPH20	75-110	5	20	1	1.6	FUGP900

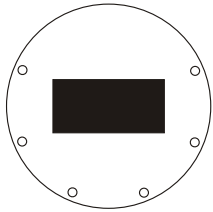
TECHNICAL REFERENCE

RECTANGULAR WAVEGUIDE TUBING INFORMATION

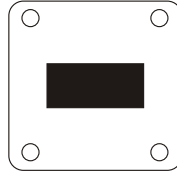
Part No.	EIA WG Designation	IEC WG Designation	Freq Range (GHz)	Material (Stock)	Inside Dimensions (mm)	Std Tol ± Inside Dim (mm)	Nom Wall Thickness (mm)	Outside Dimensions (mm)	Std Tol ± Outside Dim (mm)	Freq of Cut-Off for TE1.0 Mode (GHz)	Wave-length of Cut-Off TE1.0 Mode (mm)	Theoretical Attenuation lowest to highest freq (dB/100ft)	
												Al	Cu
SH3	WR2300	R3	0.32-0.49	Aluminum	584.2*292.1	-	6	-	-	0.257	1169.2	0.270-0.400	-
SH4	WR2100	R4	0.35-0.53	Aluminum	533.4*266.7	-	5	-	-	0.281	1067.5	0.310-0.460	-
SH5	WR1800	R5	0.41-0.62	Aluminum	457.2*228.6	0.51	5	-	-	0.328	915.0	0.390-0.580	-
SH6	WR1500	R6	0.49-0.75	Aluminum	381*190.5	0.38	3.18	-	-	0.393	762.5	0.510-0.760	-
SH8	WR1150	R8	0.64-0.98	Aluminum	292.1*146.05	0.38	3.18	-	-	0.513	584.6	0.760-0.113	-
SH9	WR975	R9	0.76-1.15	Aluminum	247.65*123.82	-	3.18	-	-	0.605	495.6	0.098-0.145	-
SH12	WR770	R12	0.96-1.46	Aluminum	195.5*97.79	-	3.18	-	-	0.766	391.4	0.140-0.206	-
SH14	WR650	R14	1.13-1.73	Copper Aluminum	165.1*82.55	0.33	2.03	169.16*86.61	0.2	0.908	330.4	0.180-0.266	0.214-0.317
SH18	WR510	R18	1.45-2.2	Copper Aluminum	129.54*64.77	0.26	2.03	133.6*68.83	0.2	1.157	259.1	0.259-0.382	0.309-0.456
SH22	WR430	R22	1.72-2.6	Copper Aluminum	109.22*54.61	0.22	2.03	113.28*58.67	0.2	1.372	218.4	0.334-0.494	0.399-0.588
SH25	WR340	R26	12.17-3.3	Copper Aluminum	86.36*43.18	0.17	2.03	90.42*47.24	0.17	1.736	172.7	0.475-0.702	0.567-0.837
SH32	WR284	R32	2.6-3.95	Copper Aluminum	72.14*34.04	0.14	2.03	76.2*38.1	0.14	2.075	144.3	0.652-0.953	0.777-1.136
SH40	WR2290	R4	3.22-4.9	Copper Aluminum	58.17*29.08	0.12	1.625	61.4232.33	0.12	2.577	116.3	0.860-1.270	1.026-1.514
SH48	WR187	R48	3.94-5.99	Copper Aluminum	47.549*22.149	0.095	1.625	50.8*25.4	0.1	3.153	95.1	1.231-1.795	1.467-2.140
SH58	WR159	R58	4.64-7.05	Copper Aluminum	40.386*20.193	0.081	1.625	43.64*23.44	0.08	3.712	80.77	1.487-2.195	1.773-2.617
SH70	WR137	R70	5.38-8.17	Copper Aluminum	34.849*15.799	0.07	1.625	38.1*19.05	0.08	4.301	69.7	2.004-2.910	2.390-3.470
SH84	WR112	R84	6.57-9.99	Copper Aluminum	28.499*12.624	0.057	1.625	31.75*15.88	0.05	5.260	57	2.761-3.993	3.292-4.761
SH100	WR90	R100	8.2-12.5	Copper Aluminum	22.86*10.16	0.046	1.27	25.4*12.7	0.05	6.557	45.72	3.833-5.547	4.570-6.614
SH120	WR75	R120	9.84-15	Copper Aluminum	19.05*9.525	0.038	1.27	21.59*12.06	0.05	7.869	38.1	4.590-6.775	5.472-8.078
SH140	WR62	R140	11.9-18	Copper Aluminum	15.799*7.899	0.031	1.015	17.83*9.93	0.05	9.488	31.6	6.077-8.971	7.246-10.696
SH180	WR51	R180	14.5-22	Copper Aluminum	12.95*6.477	0.026	1.015	14.99*8.51	0.05	11.575	25.91	8.185-12.082	9.759-14.406
SH220	WR42	R220	17.6-26.7	Copper Aluminum	10.668*4.318	0.021	1.015	12.7*6.35	0.05	14.051	21.34	12.970-18.487	15.464-22.042
SH260	WR34	R260	21.7-33	Copper Aluminum	8.636*4.318	0.02	1.015	10.67*6.35	0.05	17.358	17.27	15.036-22.197	17.928-26.465
SH320	WR28	R320	26.3-40	Copper Aluminum	7.123.556	0.02	1.015	9.14*5.59	0.05	21.053	14.22	20.120-29.701	23.989-35.413
SH400	WR22	R400	32.9-50.1	Copper Aluminum	5.69*2.845	0.02	1.015	7.72*4.88	0.05	26.344	11.38	28.119-41.508	33.526-49.491
SH500	WR19	R500	39.2-59.6	Copper	4.775*2.388	0.02	1.015	6.81*4.42	0.05	31.393	9.55	-	43.60364.367
SH520	WR15	R620	49.8-75.8	Copper	3.795*1.88	0.02	1.015	5.79*3.91	0.05	39.499	7.52	-	62.425-92.152
SH740	WR12	R740	60.5-91.9	Copper	3.0988*1.5494	0.0127	1.015	5.13*3.58	0.05	48.374	6.2	-	83.409-123.128
SH900	WR10	R900	73.8-112	Copper	2.54*1.27	0.0127	1.015	4.57*3.3	0.05	59.016	5.08	-	112.397-165.92

TECHNICAL REFERENCE

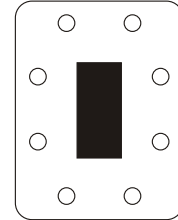
FLANGE TYPES DESIGNATIONS



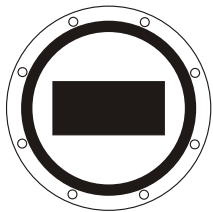
FAP
(RND.Cover,UAR)



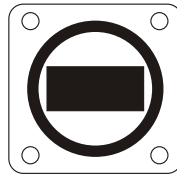
FBP
(SQ.Cover,UBR)



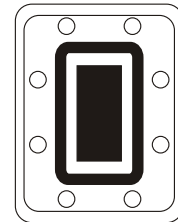
FDP
(CPRF,UDR)



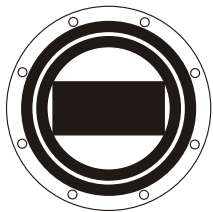
FAM
(RND.Groover,PAR)



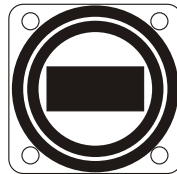
FBM
(SQ.Grooved,PBR)



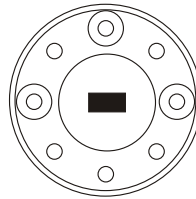
FDM
(CPRG,PDR)



FAE
(RND.Choke,CAR)



FBE
(SQ.Choke,CBR)



FUGP
(RND.)

CLICK FLANGE TYPE NO TO SEE THE DETAILED OUTLINE DRAWINGS.

WG Type		A Type			B Type			D Type		FUGP
EIA Std	IEC Std	FAP (RND COVER)	FAM (RND GROOVED)	FAE (RND CHOKE)	FBP (SQ COVER)	FBM (SQ GROOVED)	FBE (SQ CHOKE)	FDP (CPRF)	FDM (CPRG)	
WR2300	R3							FDP3	FDM3	
WR2100	R4							FDP4	FDM4	
WR1800	R5							FDP5	FDM5	
WR1500	R6							FDP6	FDM6	
WR1150	R8							FDP8	FDM8	
WR975	R9							FDP9	FDM9	
WR770	R12							FDP12	FDM12	
WR650	R14							FDP14	FDM14	
WR510	R18							FDP18	FDM18	
WR430	R22							FDP22	FDM22	
WR340	R26							FDP26	FDM26	
WR284	R32	FAP32	FAM32	FAE32				FDP32	FDM32	
WR229	R40	FAP40	FAM40	FAE40				FDP40	FDM40	
WR187	R48	FAP48	FAM48	FAE48				FDP48	FDM48	
WR159	R58	FAP58	FAM58	FAE58				FDP58	FDM58	
WR137	R70	FAP70	FAM70	FAE70				FDP70	FDM70	
WR112	R84				FBP84	FBM84	FBE84	FDP84	FDM84	
WR90	R100				FBP100	FBM100	FBE100	FDP100	FDM100	
WR75	R120				FBP120	FBM120	FBE120	FDP120	FDM120	
WR62	R140				FBP140	FBM140	FBE140	FDP140	FDM140	
WR51	R180				FBP180	FBM180	FBE180	FDP180	FDM180	
WR42	R220				FBP220	FBM220	FBE220			
WR34	R260				FBP260	FBM260	FBE260			
WR28	R320				FBP320	FBM320	FBE320			
WR22	R400	FAP400	FAM400							FUGP400
WR18	R500	FAP500	FAM500							FUGP500
WR14	R620	FAP620	FAM620							FUGP620
WR12	R740	FAP740	FAM740							FUGP740
WR10	R900	FAP900	FAM900							FUGP900
WR8	R1200	FAP1200	FAM1200							FUGP1200
WR7	R1400	FAP1400	FAM1400							FUGP1400
WR5	R1800	FAP1800	FAM1800							FUGP1800
WR4	R2200	FAP2200	FAM2200							FUGP2200
WR3	R2600	FAP2600	FAM2600							FUGP2600

STANDARD GAIN HORN ANTENNA

Shinohm Microwave manufactures a high quality line of standard gain horn antennas that are linearly polarized, lightweight and corrosion resistant. The most common Gain values available are 10, 15, 20, 25dB. Other Gain values and Horn sizes can be designed to your requirement. Please call us with your specification and discuss your needs with one of our sales engineers.



Standard Gain Horn Antenna, 10 dB

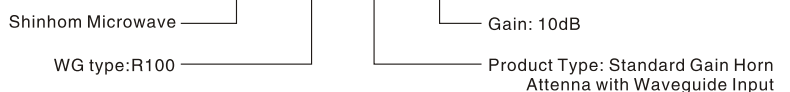
ELECTRICAL CHARACTERISTICS:

Part No.	Freq Range (GHz)	Gain (dB)	3dB Beamwidth (Nom)	Dimensions(mm)			WG Type		Flange
				L	W	H	IEC	EIA	
SH-3SGAH10	0.32-0.49	10	55°	850	1150	800	R3	WR2300	FDP
SH-4SGAH10	0.35-0.53	10	55°	800	1050	720	R4	WR2100	FDP
SH-5SGAH10	0.41-0.62	10	55°	800	900	660	R5	WR1800	FDP
SH-6SGAH10	0.49-0.75	10	55°	700	700	500	R6	WR1500	FDP
SH-8SGAH10	0.64-0.98	10	55°	590	620	440	R8	WR1150	FDP
SH-9SGAH10	0.75-1.15	10	55°	300	480	336	R9	WR975	FDP
SH-12SGAH10	0.96-1.46	10	55°	300	400	280	R12	WR770	FDP
SH-14SGAH10	1.13-1.73	10	55°	280	315	235	R14	WR650	FDP
SH-18SGAH10	1.45-2.20	10	55°	245	249	184	R18	WR510	FDP
SH-22SGAH10	1.72-2.61	10	55°	210	209	154	R22	WR430	FDP
SH-26SGAH10	2.17-3.30	10	55°	160	165	125	R26	WR340	FDP
SH-32SGAH10	2.60-3.95	10	55°	150	144	114	R32	WR284	FDP
SH-40SGAH10	3.22-4.90	10	55°	120	113	88	R40	WR229	FDP
SH-48SGAH10	3.94-5.99	10	55°	110	98	73	R48	WR187	FDP
SH-58SGAH10	4.64-7.05	10	55°	100	83	63	R58	WR159	FDP
SH-70SGAH10	5.38-8.17	10	55°	75	67	52	R70	WR137	FDP
SH-84SGAH10	6.57-9.99	10	55°	70	57	42	R84	WR112	FBP
SH-100SGAH10	8.20-12.40	10	55°	50	47	347	R100	WR90	FBP
SH-120SGAH10	9.84-15.0	10	55°	55	40	29	R120	WR75	FBP
SH-140SGAH10	11.9-18.0	10	55°	55	37	27	R140	WR62	FBP
SH-180SGAH10	14.5-22.0	10	55°	50	30	20	R180	WR51	FBP
SH-220SGAH10	17.6-26.7	10	55°	45	24	17	R220	WR42	FBP
SH-260SGAH10	21.7-33.0	10	55°	35	20	14	R260	WR34	FBP
SH-320SGAH10	26.5-40.0	10	55°	30	17	12	R320	WR28	FBP
SH-400SGAH10	32.9-50.1	10	55°	36	10.8	7.9	R400	WR22	FUGP
SH-500SGAH10	39.2-59.6	10	55°	30	9	6.4	R500	WR19	FUGP
SH-620SGAH10	49.8-75.8	10	55°	25	87.5	5.3	R620	WR15	FUGP
SH-740SGAH10	60.5-91.9	10	55°	20	5.9	4.5	R740	WR12	FUGP
SH-900SGAH10	73.8-112	10	55°	20	5.3	4	R900	WR10	FUGP

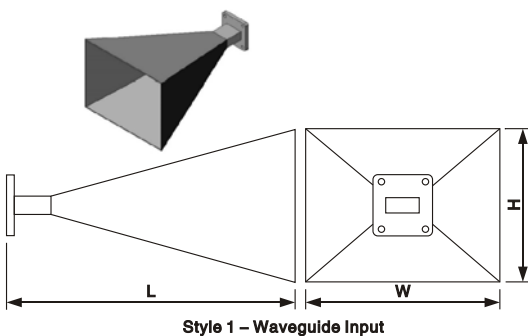
*Gain and 3dB Beamwidth values have been calculated by computer simulation.

Ordering Information

Example Part No: SH - 100 SGAH 10



- Flange type: Multiple types available – see Shinohm Microwave Flanges page
- Finish: Corrosion protection plus black/grey top coat



STANDARD GAIN HORN ANTENNA

Shinohm Microwave manufactures a high quality line of standard gain horn antennas that are linearly polarized, lightweight and corrosion resistant. The most common Gain values available are 10, 15, 20, 25dB. Other Gain values and Horn sizes can be designed to your requirement. Please call us with your specification and discuss your needs with one of our sales engineers.

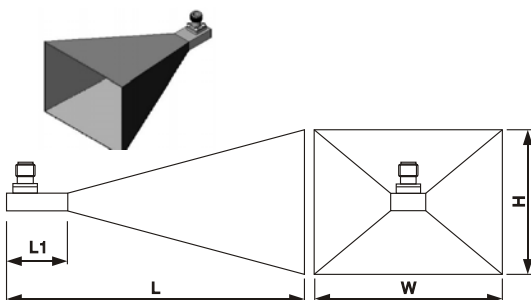


Standard Gain Horn Antenna, 10 dB

ELECTRICAL CHARACTERISTICS:

Part No.	Freq Range (GHz)	Gain (dB)	3dB Beamwidth (Nom)	Dimensions(mm)			WG Type		Connector
				L	W	H	IEC	EIA	
SH-3SGAH10N...	0.32-0.49	10	55°	850	1150	800	R3	WR2300	N Type
SH-4SGAH10N...	0.35-0.53	10	55°	800	1050	720	R4	WR2100	N Type
SH-5SGAH10N...	0.41-0.62	10	55°	800	900	660	R5	WR1800	N Type
SH-6SGAH10N...	0.49-0.75	10	55°	700	700	500	R6	WR1500	N Type
SH-8SGAH10N...	0.64-0.98	10	55°	590	620	440	R8	WR1150	N Type
SH-9SGAH10N...	0.75-1.15	10	55°	480	480	336	R9	WR975	N Type
SH-12SGAH10N...	0.96-1.46	10	55°	400	400	280	R12	WR770	N Type
SH-14SGAH10N...	1.13-1.73	10	55°	370	315	235	R14	WR650	N Type
SH-18SGAH10N...	1.45-2.20	10	55°	310	249	184	R18	WR510	N Type
SH-22SGAH10N...	1.72-2.61	10	55°	260	209	154	R22	WR430	N Type
SH-26SGAH10N...	2.17-3.30	10	55°	200	165	125	R26	WR340	N Type
SH-32SGAH10N...	2.60-3.95	10	55°	175	144	114	R32	WR284	N Type
SH-40SGAH10N...	3.22-4.90	10	55°	150	113	88	R40	WR229	N Type
SH-48SGAH10N...	3.94-5.99	10	55°	145	98	73	R48	WR187	N Type
SH-58SGAH10N...	4.64-7.05	10	55°	135	83	63	R58	WR159	N Type
SH-70SGAH10N...	5.38-8.17	10	55°	110	67	52	R70	WR137	N Type
SH-84SGAH10N...	6.57-9.99	10	55°	95	57	42	R84	WR112	N Type
SH-100SGAH10N...	8.20-12.40	10	55°	75	47	34	R100	WR90	N Type
SH-120SGAH10S...	9.84-15.0	10	55°	75	40	29	R120	WR75	SMA
SH-140SGAH10S...	11.9-18.0	10	55°	75	37	27	R140	WR62	SMA
SH-180SGAH10S...	14.5-22.0	10	55°	75	30	20	R180	WR51	SMA
SH-220SGAH10S...	17.6-26.7	10	55°	75	24	17	R220	WR42	SMA
SH-260SGAH10K...	21.7-33.0	10	55°	53	20	14	R260	WR34	K2.92mm
SH-320SGAH10K...	26.5-40.0	10	55°	54	17	12	R320	WR28	K2.92mm

*Gain and 3dB Beamwidth values have been calculated by computer simulation.



Style 2 – Built-in Coaxial Input

Ordering Information

Example Part No: SH – 100 SGAH 10 N K

Shinohm Microwave ——— |
 WG type: R100 ——— |
 Product Type: Standard Gain Horn Antenna with Built-in Coax Input ——— |
 J=Male, K=Female ——— |
 Coax Connector Type: N=Type N, S=SMA, 2.92=K2.92mm ——— |
 Gain: 10dB ——— |

- Flange type: Multiple types available – see Shinohm Microwave Flanges page
- Finish: Corrosion protection plus black/grey top coat

STANDARD GAIN HORN ANTENNA

Shinhom Microwave manufactures a high quality line of standard gain horn antennas that are linearly polarized, lightweight and corrosion resistant. The most common Gain values available are 10, 15, 20, 25dB. Other Gain values and Horn sizes can be designed to your requirement. Please call us with your specification and discuss your needs with one of our sales engineers.

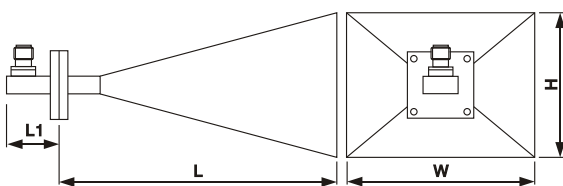
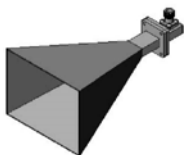


Standard Gain Horn Antenna, 10 dB

ELECTRICAL CHARACTERISTICS:

Part No.	Freq Range (GHz)	Gain (dB)	3dB Beamwidth (Nom)	Dimensions(mm)				WG Type		Connector
				L	L2	W	H	IEC	EIA	
SH-3SGAH10+N.	0.32-0.49	10	55°	1600	400	1150	800	R3	WR2300	N Type
SH-4SGAH10+N...	0.35-0.53	10	55°	1400	380	1050	720	R4	WR2100	N Type
SH-5SGAH10+N...	0.41-0.62	10	55°	1300	350	900	660	R5	WR1800	N Type
SH-6SGAH10+N...	0.49-0.75	10	55°	1100	300	700	500	R6	WR1500	N Type
SH-8SGAH10+N...	0.64-0.98	10	55°	1200	260	620	440	R8	WR1150	N Type
SH-9SGAH10+N...	0.75-1.15	10	55°	520	220	480	336	R9	WR975	N Type
SH-12SGAH10+N...	0.96-1.46	10	55°	466	166	400	280	R12	WR770	N Type
SH-14SGAH10+N...	1.13-1.73	10	55°	430	150	315	235	R14	WR650	N Type
SH-18SGAH10+N...	1.45-2.20	10	55°	360	120	249	184	R18	WR510	N Type
SH-22SGAH10+N...	1.72-2.61	10	55°	310	100	209	154	R22	WR430	N Type
SH-26SGAH10+N...	2.17-3.30	10	55°	245	85	165	125	R26	WR340	N Type
SH-32SGAH10+N...	2.60-3.95	10	55°	222	72	144	114	R32	WR284	N Type
SH-40SGAH10+N...	3.22-4.90	10	55°	185	65	113	88	R40	WR229	N Type
SH-48SGAH10+N...	3.94-5.99	10	55°	164	54	98	73	R48	WR187	N Type
SH-58SGAH10+N...	4.64-7.05	10	55°	150	50	83	63	R58	WR159	N Type
SH-70SGAH10+N...	5.38-8.17	10	55°	123	48	67	52	R70	WR137	N Type
SH-84SGAH10+N...	6.57-9.99	10	55°	110	40	57	42	R84	WR112	N Type
SH-100SGAH10+N...	8.20-12.40	10	55°	83	33	47	37	R100	WR90	N Type
SH-120SGAH10+S...	9.84-15.0	10	55°	55	30	40	29	R120	WR75	SMA
SH-140SGAH10+S...	11.9-18.0	10	55°	55	27	37	27	R140	WR62	SMA
SH-180SGAH10+S...	14.5-22.0	10	55°	77	27	30	20	R180	WR51	SMA
SH-220SGAH10+S...	17.6-26.7	10	55°	70	25	24	17	R220	WR42	SMA
SH-260SGAH10+K...	21.7-33.0	10	55°	62	27	20	14	R260	WR34	K2.92mm
SH-320SGAH10+K...	26.5-40.0	10	55°	56	26	17	12	R320	WR28	K2.92mm

*Indicates Model Number. See Ordering Information for complete part number.
 **Gain and 3dB Beamwidth values have been calculated by computer simulation.



Style 3 - Built-in Coaxial Input

Ordering Information

Example Part No: SH - 100 SGAH 10 +N K

Shinhom Microwave — SH
 WG type: R100 — 100
 Product Type: Standard Gain Horn Antenna with Built-in Coax Input — SGAH
 Gain: 10dB — 10
 Coax Connector Type: N=Type N, S=SMA, 2.92=K2.92mm — +N
 J=Male, K=Female — K

- Flange type: Multiple types available – see Shinhom Microwave Flanges page
- Finish: Corrosion protection plus black/grey top coat

STANDARD GAIN HORN ANTENNA

Shinohm Microwave manufactures a high quality line of standard gain horn antennas that are linearly polarized, lightweight and corrosion resistant. The most common Gain values available are 10, 15, 20, 25dB. Other Gain values and Horn sizes can be designed to your requirement. Please call us with your specification and discuss your needs with one of our sales engineers.

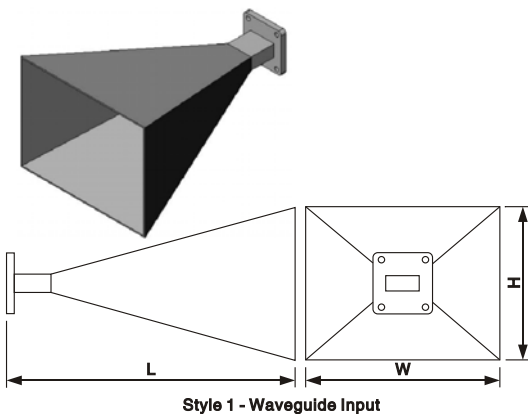


Standard Gain Horn Antenna, 15 dB

ELECTRICAL CHARACTERISTICS:

Part No.	Freq Range (GHz)	Gain (dB)	3dB Beamwidth (Nom)	Dimensions(mm)			WG Type		Flange
				L	W	H	IEC	EIA	
SH-9SGAH15	0.75-1.15	15	30°	640	850	580	R9	WR975	FDP
SH-12SGAH15	0.96-1.46	15	30°	600	700	480	R12	WR770	FDP
SH-14SGAH15	1.13-1.73	15	30°	430	550	380	R14	WR650	FDP
SH-18SGAH15	1.45-2.20	15	30°	365	456	316	R18	WR510	FDP
SH-22SGAH15	1.72-2.61	15	30°	310	380	265	R22	WR430	FDP
SH-26SGAH15	2.17-3.30	15	30°	250	297	216	R26	WR340	FDP
SH-32SGAH15	2.60-3.95	15	30°	230	275	190	R32	WR284	FDP
SH-40SGAH15	3.22-4.90	15	30°	180	205	145	R40	WR229	FDP
SH-48SGAH15	3.94-5.99	15	30°	160	169	119	R48	WR187	FDP
SH-58SGAH15	4.64-7.05	15	30°	130	141	97	R58	WR159	FDP
SH-70SGAH15	5.38-8.17	15	30°	110	122	84	R70	WR137	FDP
SH-84SGAH15	6.57-9.99	15	30°	100	105	71	R84	WR112	FBP
SH-100SGAH15	8.20-12.40	15	30°	80	81	56	R100	WR90	FBP
SH-120SGAH15	9.84-15.0	15	30°	75	68	47	R120	WR75	FBP
SH-140SGAH15	11.9-18.0	15	30°	80	57	40	R140	WR62	FBP
SH-180SGAH15	14.5-22.0	15	30°	55	47	33	R180	WR51	FBP
SH-220SGAH15	17.6-26.7	15	30°	45	39	27	R220	WR42	FBP
SH-260SGAH15	21.7-33.0	15	30°	40	32	22	R260	WR34	FBP
SH-320SGAH15	26.5-40.0	15	30°	35	26	19	R320	WR28	FBP
SH-400SGAH15	32.9-50.1	15	30°	30	22	15.5	R400	WR22	FUGP
SH-500SGAH15	39.2-59.6	15	30°	25	19	13	R500	WR19	FUGP
SH-620SGAH15	49.8-75.8	15	30°	21	15	11	R620	WR15	FUGP
SH-740SGAH15	60.5-91.9	15	30°	20	13.5	9.5	R740	WR12	FUGP
SH-900SGAH15	73.8-112	15	30°	18	11	8	R900	WR10	FUGP

*Gain and 3dB Beamwidth values have been calculated by computer simulation.



Ordering Information

Example Part No: SH - 100 SGAH 15

Shinohm Microwave ———
 WG type: R100 ———
 Product Type: Standard Gain Horn Antenna with Waveguide Input ———
 Gain: 15dB

- Flange type: Multiple types available – see Shinohm Microwave Flanges page
- Finish: Corrosion protection plus black top coat

STANDARD GAIN HORN ANTENNA

Shinhom Microwave manufactures a high quality line of standard gain horn antennas that are linearly polarized, lightweight and corrosion resistant. The most common Gain values available are 10, 15, 20, 25dB. Other Gain values and Horn sizes can be designed to your requirement. Please call us with your specification and discuss your needs with one of our sales engineers.

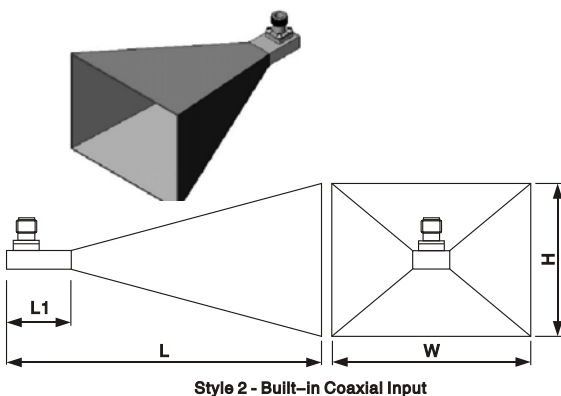


Standard Gain Horn Antenna, 15 dB

ELECTRICAL CHARACTERISTICS:

Part No.	Freq Range (GHz)	Gain (dB)	3dB Beamwidth (Nom)	Dimensions(mm)			WG Type		Connector
				L	W	H	IEC	EIA	
SH-9SGAH15N...	0.75-1.15	15	30°	820	850	580	R9	WR975	N Type
SH-12SGAH15N...	0.96-1.46	15	30°	700	700	480	R12	WR770	N Type
SH-14SGAH15N...	1.13-1.73	15	30°	520	550	380	R14	WR650	N Type
SH-18SGAH15N...	1.45-2.20	15	30°	430	456	316	R18	WR510	N Type
SH-22SGAH15N...	1.72-2.61	15	30°	360	380	265	R22	WR430	N Type
SH-26SGAH15N...	2.17-3.30	15	30°	290	297	216	R26	WR340	N Type
SH-32SGAH15N...	2.60-3.95	15	30°	255	275	190	R32	WR284	N Type
SH-40SGAH15N...	3.22-4.90	15	30°	210	205	145	R40	WR229	N Type
SH-48SGAH15N...	3.94-5.99	15	30°	195	169	119	R48	WR187	N Type
SH-58SGAH15N...	4.64-7.05	15	30°	165	141	97	R58	WR159	N Type
SH-70SGAH15N...	5.38-8.17	15	30°	145	122	84	R70	WR137	N Type
SH-84SGAH15N...	6.57-9.99	15	30°	125	105	71	R84	WR112	N Type
SH-100SGAH15N...	8.20-12.40	15	30°	105	81	56	R100	WR90	N Type
SH-120SGAH15S...	9.84-15.0	15	30°	95	68	47	R120	WR75	SMA
SH-140SGAH15S...	11.9-18.0	15	30°	100	57	40	R140	WR62	SMA
SH-180SGAH15S...	14.5-22.0	15	30°	80	47	33	R180	WR51	SMA
SH-220SGAH15S...	17.6-26.7	15	30°	75	29	27	R220	WR42	SMA
SH-260SGAH15K...	21.7-33.0	15	30°	58	32	22	R260	WR34	K2.92mm
SH-320SGAH15K...	26.5-40.0	15	30°	59	26	19	R320	WR28	K2.92mm

*Indicates Model Number. See Ordering Information for complete part number.
 **Gain and 3dB Beamwidth values have been calculated by computer simulation.



Ordering Information

Example Part No: SH - 100 SGAH 15 N K

Shinhom Microwave ——— |
 WG type:R100 ——— |
 Product Type: Standard Gain Horn ——— |
 Antenna with Built-in Coaxial Input ——— |
 Gain: 15dB ——— |

————— |
 J=Male,K=Female
 Coax Connector Type:
 N=Type N
 S=SMA,2.92=K2.92mm

- Flange type: Multiple types available – see Shinhom Microwave Flanges page
- Finish: Corrosion protection plus black top coat

STANDARD GAIN HORN ANTENNA

Shinhom Microwave manufactures a high quality line of standard gain horn antennas that are linearly polarized, lightweight and corrosion resistant. The most common Gain values available are 10, 15, 20, 25dB. Other Gain values and Horn sizes can be designed to your requirement. Please call us with your specification and discuss your needs with one of our sales engineers.

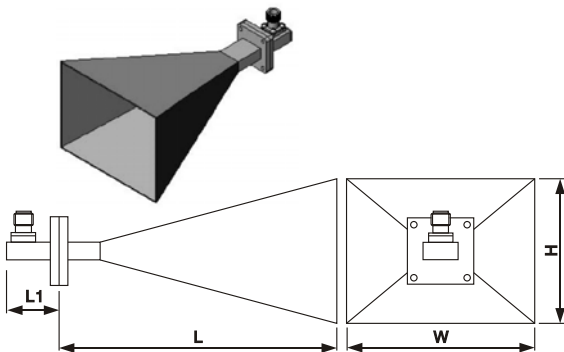


Standard Gain Horn Antenna, 15 dB

ELECTRICAL CHARACTERISTICS:

Part No.	Freq Range (GHz)	Gain (dB)	3dB Beamwidth (Nom)	Dimensions(mm)				WG Type		Connector
				L	L2	W	H	IEC	EIA	
SH-9SGAH15+N...	0.75-1.15	15	30°	820	231	850	580	R9	WR975	N Type
SH-12SGAH15+N...	0.96-1.46	15	30°	766	166	700	480	R12	WR770	N Type
SH-14SGAH15+N...	1.13-1.73	15	30°	580	150	550	380	R14	WR650	N Type
SH-18SGAH15+N...	1.45-2.20	15	30°	480	120	456	316	R18	WR510	N Type
SH-22SGAH15+N...	1.72-2.61	15	30°	410	100	380	265	R22	WR430	N Type
SH-26SGAH15+N...	2.17-3.30	15	30°	335	85	297	216	R26	WR340	N Type
SH-32SGAH15+N...	2.60-3.95	15	30°	320	90	275	190	R32	WR284	N Type
SH-40SGAH15+N...	3.22-4.90	15	30°	245	65	205	145	R40	WR229	N Type
SH-48SGAH15+N...	3.94-5.99	15	30°	214	54	169	119	R48	WR187	N Type
SH-58SGAH15+N...	4.64-7.05	15	30°	180	50	141	97	R58	WR159	N Type
SH-70SGAH15+N...	5.38-8.17	15	30°	158	48	1220	84	R70	WR137	N Type
SH-84SGAH15+N...	6.57-9.99	15	30°	140	40	105	71	R84	WR112	N Type
SH-100SGAH15+N...	8.20-12.40	15	30°	115	35	81	56	R100	WR90	N Type
SH-120SGAH15+S...	9.84-15.0	15	30°	105	30	68	47	R120	WR75	SMA
SH-140SGAH15+S...	11.9-18.0	15	30°	107	27	57	40	R140	WR62	SMA
SH-180SGAH15+S...	14.5-22.0	15	30°	82	27	47	33	R180	WR51	SMA
SH-220SGAH15+S...	17.6-26.7	15	30°	70	25	39	27	R220	WR42	SMA
SH-260SGAH15+K...	21.7-33.0	15	30°	67	27	32	22	R260	WR34	K2.92mm
SH-320SGAH15+K...	26.5-40.0	15	30°	61	26	26	19	R320	WR28	K2.92mm

*Indicates Model Number. See Ordering Information for complete part number.
 **Gain and 3dB Beamwidth values have been calculated by computer simulation.



Style 3 - Built-in Coaxial Input

Ordering Information

Example Part No: SH - 100 SGAH 15 +N K

Shinhom Microwave ——— |
 WG type:R100 ——— |
 Product Type: Standard Gain Horn ——— |
 Antenna with Built-in Coax Input ——— |
 Gain: 15dB ——— |

————— | J=Male,K=Female
 Coax Connector Type:
 N=Type N
 S=SMA,2.92=K2.92mm

- Flange type: Multiple types available – see Shinhom Microwave Flanges page
- Finish: Corrosion protection plus black top coat

STANDARD GAIN HORN ANTENNA

Shinhom Microwave manufactures a high quality line of standard gain horn antennas that are linearly polarized, lightweight and corrosion resistant. The most common Gain values available are 10, 15, 20, 25dB. Other Gain values and Horn sizes can be designed to your requirement. Please call us with your specification and discuss your needs with one of our sales engineers.

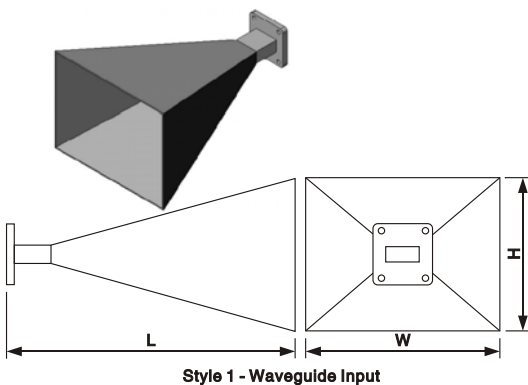


Standard Gain Horn Antenna, 20 dB

ELECTRICAL CHARACTERISTICS:

Part No.	Freq Range (GHz)	Gain (dB)	3dB Beamwidth (Nom)	Dimensions(mm)			WG Type		Flange
				L	W	H	IEC	EIA	
SH-32SGAH20	2.60-3.95	20	18°	700	476	346	R32	WR284	D Type
SH-40SGAH20	3.22-4.90	20	18°	520	345	264	R40	WR229	D Type
SH-48SGAH20	3.94-5.99	20	18°	440	280	212	R48	WR187	D Type
SH-58SGAH20	4.64-7.05	20	18°	400	245	175	R58	WR159	D Type
SH-70SGAH20	5.38-8.17	20	18°	290	197	153	R70	WR137	D Type
SH-84SGAH20	6.57-9.99	20	18°	290	180	128	R84	WR112	B Type
SH-100SGAH20	8.20-12.40	20	18°	220	138	107	R100	WR90	B Type
SH-120SGAH20	9.84-15.0	20	18°	200	115	83	R120	WR75	B Type
SH-140SGAH20	11.9-18.0	20	18°	150	93	72	R140	WR62	B Type
SH-180SGAH20	14.5-22.0	20	18°	140	80	56	R180	WR51	B Type
SH-220SGAH20	17.6-26.7	20	18°	125	70	49	R220	WR42	B Type
SH-260SGAH20	21.7-33.0	20	18°	110	54	42	R260	WR34	B Type
SH-320SGAH20	26.5-40.0	20	18°	90	47	33	R320	WR28	B Type
SH-400SGAH20	32.9-50.1	20	18°	70	36	27	R400	WR22	FUGP
SH-500SGAH20	39.2-59.6	20	18°	60	31.4	23	R500	WR19	FUGP
SH-620SGAH20	49.8-75.8	20	18°	55	25	18	R620	WR15	FUGP
SH-740SGAH20	60.5-91.9	20	18°	50	22	16	R740	WR12	FUGP
SH-900SGAH20	73.8-112	20	18°	45	18	13	R900	WR10	FUGP

*Gain and 3dB Beamwidth values have been calculated by computer simulation.



Ordering Information

Example Part No: SH - 100 SGAH 20

Shinhom Microwave — SH
 WG type: R100 — 100
 Product Type: Standard Gain Horn Antenna with Waveguide Input — SGAH
 Gain: 20dB — 20

- Flange type: Multiple types available – see Shinhom Microwave Flanges page
- Finish: Corrosion protection plus black top coat

STANDARD GAIN HORN ANTENNA

Shinhom Microwave manufactures a high quality line of standard gain horn antennas that are linearly polarized, lightweight and corrosion resistant. The most common Gain values available are 10, 15, 20, 25dB. Other Gain values and Horn sizes can be designed to your requirement. Please call us with your specification and discuss your needs with one of our sales engineers.

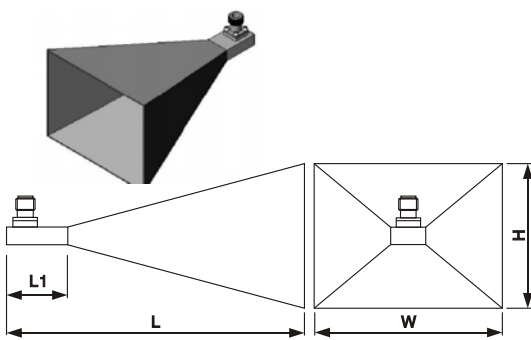


Standard Gain Horn Antenna, 20 dB

ELECTRICAL CHARACTERISTICS:

Part No.	Freq Range (GHz)	Gain (dB)	3dB Beamwidth (Nom)	Dimensions(mm)			WG Type		Connector
				L	W	H	IEC	EIA	
SH-32SGAH20N...	2.60-3.95	20	18°	725	476	346	R32	WR284	N Type
SH-40SGAH20N...	3.22-4.90	20	18°	550	345	264	R40	WR229	N Type
SH-48SGAH20N...	3.94-5.99	20	18°	475	280	212	R48	WR187	N Type
SH-58SGAH20N...	4.64-7.05	20	18°	435	245	175	R58	WR159	N Type
SH-70SGAH20N...	5.38-8.17	20	18°	325	197	153	R70	WR137	N Type
SH-84SGAH20N...	6.57-9.99	20	18°	315	180	128	R84	WR112	N Type
SH-100SGAH20N...	8.20-12.40	20	18°	245	138	107	R100	WR90	N Type
SH-120SGAH20S...	9.84-15.0	20	18°	220	115	83	R120	WR75	SMA
SH-140SGAH20S...	11.9-18.0	20	18°	170	93	72	R140	WR62	SMA
SH-180SGAH20S...	14.5-22.0	20	18°	165	80	56	R180	WR51	SMA
SH-220SGAH20S...	17.6-26.7	20	18°	155	70	49	R220	WR42	SMA
SH-260SGAH20K...	21.7-33.0	20	18°	128	54	42	R260	WR34	K2.92mm
SH-320SGAH20K...	26.5-40.0	20	18°	114	47	33	R320	WR28	K2.92mm

*Gain and 3dB Beamwidth values have been calculated by computer simulation.



Style 2 - Built-In Coaxial Input

Ordering Information

Example Part No: SH - 100 SGAH 20 N K

Shinhom Microwave _____

WG type: R100 _____

Product Type: Standard Gain Horn _____

Antenna with Built-in Coax Input _____

Gain: 20dB _____

J=Male, K=Female
Coax Connector Type: N=Type N
S=SMA, 2.92=K2.92mm

- Flange type: Multiple types available – see Shinhom Microwave Flanges page
- Finish: Corrosion protection plus black top coat

STANDARD GAIN HORN ANTENNA

Shinhom Microwave manufactures a high quality line of standard gain horn antennas that are linearly polarized, lightweight and corrosion resistant. The most common Gain values available are 10, 15, 20, 25dB. Other Gain values and Horn sizes can be designed to your requirement. Please call us with your specification and discuss your needs with one of our sales engineers.

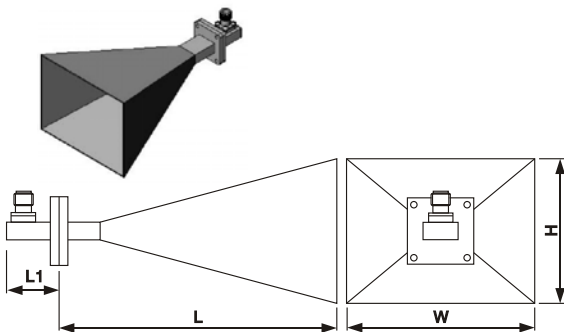


Standard Gain Horn Antenna, 20 dB

ELECTRICAL CHARACTERISTICS:

Part No.	Freq Range (GHz)	Gain (dB)	3dB Beamwidth (Nom)	Dimensions(mm)				WG Type		Connector
				L	L2	W	H	IEC	EIA	
SH-32SGAH20+N...	2.60-3.95	20	18°	772	72	476	346	R32	WR284	N Type
SH-40SGAH20+N...	3.22-4.90	20	18°	585	65	345	264	R40	WR229	N Type
SH-48SGAH20+N...	3.94-5.99	20	18°	494	54	280	212	R48	WR187	N Type
SH-58SGAH20+N...	4.64-7.05	20	18°	450	50	245	175	R58	WR159	N Type
SH-70SGAH20+N...	5.38-8.17	20	18°	338	48	197	153	R70	WR137	N Type
SH-84SGAH20+N...	6.57-9.99	20	18°	330	40	180	128	R84	WR112	N Type
SH-100SGAH20+N...	8.20-12.40	20	18°	255	35	138	107	R100	WR90	N Type
SH-120SGAH20+S...	9.84-15.0	20	18°	230	30	115	83	R120	WR75	SMA
SH-140SGAH20+S...	11.9-18.0	20	18°	177	27	93	72	R140	WR62	SMA
SH-180SGAH20+S...	14.5-22.0	20	18°	167	27	80	56	R180	WR51	SMA
SH-220SGAH20+K...	17.6-26.7	20	18°	150	25	70	49	R220	WR42	K2.92mm
SH-260SGAH20+K...	21.7-33.0	20	18°	137	27	54	42	R260	WR34	K2.92mm
SH-320SGAH20+K...	26.5-40.0	20	18°	116	26	47	33	R320	WR28	K2.92mm

*Indicates Model Number. See Ordering Information for complete part number.
 **Gain and 3dB Beamwidth values have been calculated by computer simulation.



Style 3 - with Coaxial Connector

Ordering Information

Example Part No: SH - 100 SGAH 20 +N K

Shinhom Microwave — SH
 WG type:R100 — 100
 Product Type: Standard Gain Horn — SGAH
 Antenna with Built-in Coax Input — 20
 Gain: 20dB — 20
 +N — N=Type N
 K — J=Male, K=Female
 Coax Connector Type: S=SMA, 2.92=K2.92mm

- Flange type: Multiple types available – see Shinhom Microwave Flanges page
- Finish: Corrosion protection plus black top coat

STANDARD GAIN HORN ANTENNA

Shinhom Microwave manufactures a high quality line of standard gain horn antennas that are linearly polarized, lightweight and corrosion resistant. The most common Gain values available are 10, 15, 20, 25dB. Other Gain values and Horn sizes can be designed to your requirement. Please call us with your specification and discuss your needs with one of our sales engineers.

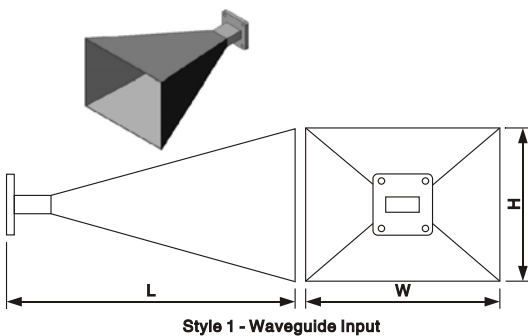


Standard Gain Horn Antenna, 25 dB

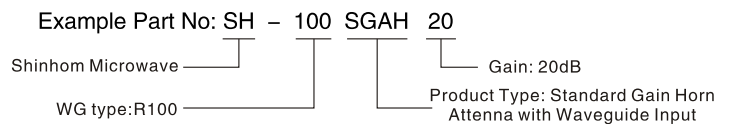
ELECTRICAL CHARACTERISTICS:

Part No.	Freq Range (GHz)	Gain (dB)	3dB Beamwidth (Nom)	Dimensions(mm)			WG Type		Flange
				L	W	H	IEC	EIA	
SH-100SGAH25	8.20-12.40	25	10°	740	250	180	R100	WR90	FBP
SH-120SGAH25	9.84-15.0	25	10°	550	200	155	R120	WR75	FBP
SH-140SGAH25	11.9-18.0	25	10°	520	175	120	R140	WR62	FBP
SH-180SGAH25	14.5-22.0	25	10°	400	134	104	R180	WR51	FBP
SH-220SGAH25	17.6-26.7	25	10°	350	120	85	R220	WR42	FBP
SH-260SGAH25	21.7-33.0	25	10°	300	92	70	R260	WR34	FBP
SH-320SGAH25	26.5-40.0	25	10°	240	80	56	R320	WR28	FBP
SH-400SGAH25	32.9-50.1	25	10°	205	66	46	R400	WR22	FUGP
SH-500SGAH25	39.2-59.6	25	10°	160	53	37	R500	WR19	FUGP
SH-620SGAH25	49.8-75.8	25	10°	130	43	31	R620	WR15	FUGP
SH-740SGAH25	60.5-91.9	25	10°	120	37	26	R740	WR12	FUGP
SH-900SGAH25	73.8-112	25	10°	100	30	23	R900	WR10	FUGP

*Gain and 3dB Beamwidth values have been calculated by computer simulation.



Ordering Information



- Flange type: Multiple types available – see Shinhom Microwave Flanges page
- Finish: Corrosion protection plus black top coat

STANDARD GAIN HORN ANTENNA

Shinhom Microwave manufactures a high quality line of standard gain horn antennas that are linearly polarized, lightweight and corrosion resistant. The most common Gain values available are 10, 15, 20, 25dB. Other Gain values and Horn sizes can be designed to your requirement. Please call us with your specification and discuss your needs with one of our sales engineers.

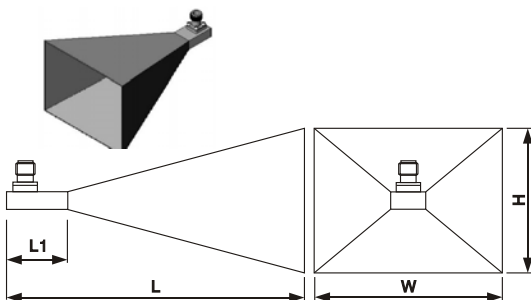


Standard Gain Horn Antenna, 25 dB

ELECTRICAL CHARACTERISTICS:

Part No.	Freq Range (GHz)	Gain (dB)	3dB Beamwidth (Nom)	Dimensions(mm)			WG Type		Connector
				L	W	H	IEC	EIA	
SH-100SGAH25N...	8.20-12.40	25	10°	760	250	180	R100	WR90	N Type
SH-120SGAH25S...	9.84-15.0	25	10°	570	200	155	R120	WR75	SMA
SH-140SGAH25S...	11.9-18.0	25	10°	540	175	120	R140	WR62	SMA
SH-180SGAH25S...	14.5-22.0	25	10°	424	134	104	R180	WR51	SMA
SH-220SGAH25K...	17.6-26.7	25	10°	375	120	85	R220	WR42	K2.92mm
SH-260SGAH25K...	21.7-33.0	25	10°	313	92	70	R260	WR34	K2.92mm
SH-320SGAH25K...	26.5-40.0	25	10°	259	80	56	R320	WR28	K2.92mm

*Indicates Model Number. See Ordering Information for complete part number.
 **Gain and 3dB Beamwidth values have been calculated by computer simulation.



Style 2 - Built-in Coaxial Input

Ordering Information

Example Part No: SH - 100 SGAH 25 N K

Shinhom Microwave — SH
 WG type: R100 — 100
 Product Type: Standard Gain Horn Antenna with Built-in Coax Input — SGAH
 Gain: 25dB — 25
 Coax Connector Type: N=Type N, S=SMA, 2.92=K2.92mm — N K
 J=Male, K=Female

- Flange type: Multiple types available – see Shinhom Microwave Flanges page
- Finish: Corrosion protection plus black top coat

STANDARD GAIN HORN ANTENNA

Shinhom Microwave manufactures a high quality line of standard gain horn antennas that are linearly polarized, lightweight and corrosion resistant. The most common Gain values available are 10, 15, 20, 25dB. Other Gain values and Horn sizes can be designed to your requirement. Please call us with your specification and discuss your needs with one of our sales engineers.

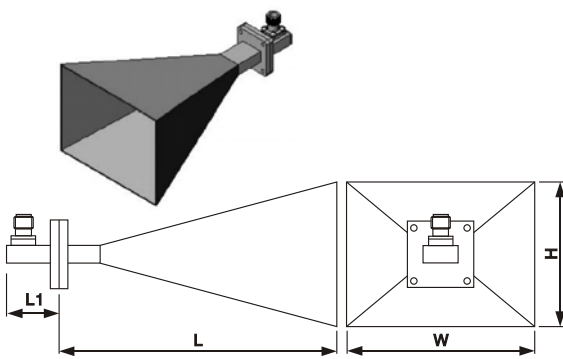


Standard Gain Horn Antenna, 25 dB

ELECTRICAL CHARACTERISTICS:

Part No.	Freq Range (GHz)	Gain (dB)	3dB Beamwidth (Nom)	Dimensions(mm)				WG Type		Connector
				L	L2	W	H	IEC	EIA	
SH-100SGAH25+N...	8.20-12.40	25	10°	775	35	250	180	R100	WR90	N Type
SH-120SGAH25+S...	9.84-15.0	25	10°	550	30	200	155	R120	WR75	SMA
SH-140SGAH25+S...	11.9-18.0	25	10°	547	27	175	120	R140	WR62	SMA
SH-180SGAH25+S...	14.5-22.0	25	10°	427	27	134	104	R180	WR51	SMA
SH-220SGAH25+K...	17.6-26.7	25	10°	375	25	120	85	R220	WR42	K2.92mm
SH-260SGAH25+K...	21.7-33.0	25	10°	327	27	92	70	R260	WR34	K2.92mm
SH-320SGAH25+K...	26.5-40.0	25	10°	266	26	80	56	R320	WR28	K2.92mm

*Indicates Model Number. See Ordering Information for complete part number.
 **Gain and 3dB Beamwidth values have been calculated by computer simulation.



Style 3 - with Coaxial Connector

Ordering Information

Example Part No: SH - 100 SGAH 25 +N K

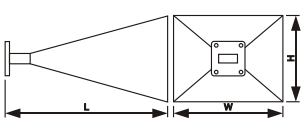
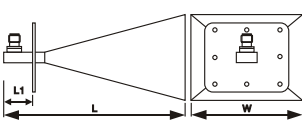
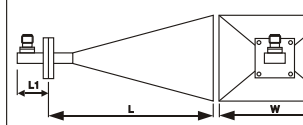
Shinhom Microwave — SH
 WG type: R100 — 100
 Product Type: Standard Gain Horn Antenna with Coaxial Connector — SGAH
 Gain: 25dB — 25
 Coax Connector Type: N=Type N, S=SMA, 2.92=K2.92mm — +N
 J=Male, K=Female — K

- Flange type: Multiple types available – see Shinhom Microwave Flanges page
- Finish: Corrosion protection plus black top coat

Standard Gain Horn Antenna



Standard Gain Horn Antenna (SGAH)

Part No.	With Waveguide Input Style	With Built-in Coaxial Input Style	With Coaxial Connector Style
Outline Drawing			
WG Type	WR770-WR3	R2300-R28	R975-WR22
VSWR	≤1.25	≤1.5	≤1.5

With Waveguide Input Style Standard Gain Horn Antenna



Nominal Gain Value: 10dB

ELECTRICAL CHARACTERISTICS:

Part No.	WG Type EIA	Freq Range (GHz)	Gain (dB)	Dimensions(mm)				Flange	Material
				L	L1	W	H		
SH-12SGAH10	WR770	0.96-1.46	10	300	100	400	280	FDP	Al
SH-14SGAH10	WR650	1.13-1.73	10	280	80	315	235	FDP	Al
SH-18SGAH10	WR510	1.45-2.20	10	245	65	249	184	FDP	Al
SH-22SGAH10	WR430	1.72-2.61	10	210	60	209	154	FDP	Al
SH-26SGAH10	WR340	2.17-3.30	10	160	50	165	125	FDP	Al
SH-32SGAH10	WR284	2.60-3.95	10	150	50	144	114	FDP	Al
SH-40SGAH10	WR229	3.22-4.90	10	120	50	113	88	FDP	Al
SH-48SGAH10	WR187	3.94-5.99	10	110	40	98	73	FDP	Al
SH-58GAH10	WR159	4.64-7.05	10	100	40	83	63	FDP	Al
SH-70SGAH10	WR137	5.38-8.17	10	75	25	67	52	FDP	Al
SH-84SGAH10	WR112	6.57-9.99	10	70	25	57	42	FBP	Al
SH-100SGAH10	WR90	8.20-12.40	10	50	20	47	37	FBP	Al
SH-120SGAH10	WR75	9.84-15.0	10	55	25	40	29	FBP	Al
SH-140SGAH10	WR62	11.9-18.0	10	55	25	37	27	FBP	Al
SH-180SGAH10	WR51	14.5-22.0	10	50	20	30	20	FBP	Cu
SH-220SGAH10	WR42	17.6-26.7	10	45	15	24	17	FBP	Cu
SH-260SGAH10	WR34	21.7-33.0	10	35	15	20	14	FBP	Cu
SH-320SGAH10	WR28	26.5-40.0	10	30	10	17	12	FBP	Cu
SH-400SGAH10	WR22	32.9-50.1	10	36	/	10.8	7.9	FUGP	Cu
SH-500SGAH10	WR19	39.2-59.6	10	30	/	9	6.4	FUGP	Cu
SH-620SGAH10	WR15	49.8-75.8	10	25	/	7.5	5.3	FUGP	Cu
SH-740SGAH10	WR12	60.5-91.9	10	18	/	5.9	4.5	FUGP	Cu

Standard Gain Horn Antenna



Nominal Gain Value: 15dB

ELECTRICAL CHARACTERISTICS:

Part No.	WG Type EIA	Freq Range (GHz)	Gain (dB)	Dimensions(mm)				Flange	Material
				L	L1	W	H		
SH-12SGAH15	WR770	0.96-1.46	15	600	100	700	480	FDP	Al
SH-14SGAH15	WR650	1.13-1.73	15	430	80	550	380	FDP	Al
SH-18SGAH15	WR510	1.45-2.20	15	365	65	456	316	FDP	Al
SH-22SGAH15	WR430	1.72-2.61	15	310	60	380	265	FDP	Al
SH-26SGAH15	WR340	2.17-3.30	15	250	50	297	216	FDP	Al
SH-32SGAH15	WR284	2.60-3.95	15	230	50	275	190	FDP	Al
SH-40SGAH15	WR229	3.22-4.90	15	180	50	205	145	FDP	Al
SH-48SGAH15	WR187	3.94-5.99	15	160	40	169	119	FDP	Al
SH-58SGAH15	WR159	4.64-7.05	15	130	40	141	97	FDP	Al
SH-70SGAH15	WR137	5.38-8.17	15	110	25	122	84	FDP	Al
SH-84SGAH15	WR112	6.57-9.99	15	100	25	105	71	FBP	Al
SH-100SGAH15	WR90	8.20-12.40	15	80	20	81	56	FBP	Al
SH-120SGAH15	WR75	9.84-15.0	15	75	25	68	47	FBP	Al
SH-140SGAH15	WR62	11.9-18.0	15	80	25	57	40	FBP	Al
SH-180SGAH15	WR51	14.5-22.0	15	55	20	47	33	FBP	Cu
SH-220SGAH15	WR42	17.6-26.7	15	45	15	39	27	FBP	Cu
SH-260SGAH15	WR34	21.7-33.0	15	40	15	32	22	FBP	Cu
SH-320SGAH15	WR28	26.5-40.0	15	35	10	26	19	FBP	Cu
SH-400SGAH15	WR22	32.9-50.1	15	30	10	22	15.5	FUGP	Cu
SH-500SGAH15	WR19	39.2-59.6	15	25	10	19	13	FUGP	Cu
SH-620SGAH15	WR15	49.8-75.8	15	21	8	15	11	FUGP	Cu
SH-740SGAH15	WR12	60.5-91.9	15	20	8	13.5	9.5	FUGP	Cu
SH-900SGAH15	WR10	73.8-112	15	18	8	11	8	FUGP	Cu

Standard Gain Horn Antenna



Nominal Gain Value: 20dB

ELECTRICAL CHARACTERISTICS:

Part No.	WG Type EIA	Freq Range (GHz)	Gain (dB)	Dimensions(mm)				Flange	Material
				L	L1	W	H		
SH-32SGAH20	WR284	2.60-3.95	20	700	50	476	346	FDP	Al
SH-40SGAH20	WR229	3.22-4.90	20	520	50	345	264	FDP	Al
SH-48SGAH20	WR187	3.94-5.99	20	440	40	280	212	FDP	Al
SH-58SGAH20	WR159	4.64-7.05	20	400	40	245	175	FDP	Al
SH-70SGAH20	WR137	5.38-8.17	20	290	25	197	153	FDP	Al
SH-84SGAH20	WR112	6.57-9.99	20	290	25	180	128	FBP	Al
SH-100SGAH20	WR90	8.20-12.40	20	220	20	138	107	FBP	Al
SH-120SGAH20	WR75	9.84-15.0	20	200	25	115	83	FBP	Al
SH-140SGAH20	WR62	11.9-18.0	20	150	25	93	72	FBP	Al
SH-180SGAH20	WR51	14.5-22.0	20	140	20	80	56	FBP	Cu
SH-220SGAH20	WR42	17.6-26.7	20	125	15	70	49	FBP	Cu
SH-260SGAH20	WR34	21.7-33.0	20	110	15	54	42	FBP	Cu
SH-320SGAH20	WR28	26.5-40.0	20	90	10	47	33	FBP	Cu
SH-400SGAH20	WR22	32.9-50.1	20	70	10	36	27	FUGP	Cu
SH-500SGAH20	WR19	39.2-59.6	20	60	10	31.4	23	FUGP	Cu
SH-620SGAH20	WR15	49.8-75.8	20	55	8	25	18	FUGP	Cu
SH-740SGAH20	WR12	60.5-91.9	20	50	8	22	16	FUGP	Cu
SH-900SGAH20	WR10	73.8-112	20	45	8	18	13	FUGP	Cu
SH-1200SGAH20	WR8	92.2-140	20	40	8	15	11	FUGP	Cu
SH-1400SGAH20	WR7	113-173	20	32	2	12	8.5	FUGP	Cu
SH-1800SGAH20	WR5	145-220	20	35	8	9.7	7	FUGP	Cu
SH-2200SGAH20	WR4	172-261	20	30	6	8.5	5.8	FUGP	Cu
SH-2600SGAH20	WR3	217-330	20	27	6	7	4.8	FUGP	Cu

Standard Gain Horn Antenna



Nominal Gain Value: 25dB

ELECTRICAL CHARACTERISTICS:

Part No.	WG Type EIA	Freq Range (GHz)	Gain (dB)	Dimensions(mm)				Flange	Material
				L	L1	W	H		
SH-100SGAH25	WR90	8.20-12.40	25	740	20	250	180	FBP	Al
SH-120SGAH25	WR75	9.84-15.0	25	550	25	200	155	FBP	Al
SH-140SGAH25	WR62	11.9-18.0	25	520	25	175	120	FBP	Al
SH-180SGAH25	WR51	14.5-22.0	25	400	20	134	104	FBP	Cu
SH-220SGAH25	WR42	17.6-26.7	25	350	20	120	85	FBP	Cu
SH-260SGAH25	WR34	21.7-33.0	25	300	20	92	70	FBP	Cu
SH-320SGAH25	WR28	26.5-40.0	25	240	15	80	56	FBP	Cu
SH-400SGAH25	WR22	32.9-50.1	25	205	10	66	46	FUGP	Cu
SH-500SGAH25	WR19	39.2-59.6	25	160	10	53	37	FUGP	Cu
SH-620SGAH25	WR15	49.8-75.8	25	130	8	43	31	FUGP	Cu
SH-740SGAH25	WR12	60.5-91.9	25	120	8	37	26	FUGP	Cu
SH-900SGAH25	WR10	73.8-112	25	100	8	30	23	FUGP	Cu
SH-1200SGAH25	WR8	92.2-140	25	86	4	25	17.7	FUGP	Cu
SH-1400SGAH25	WR7	113-173	25	70	5.04	20	14	FUGP	Cu
SH-1800SGAH25	WR5	145-220	25	57	5	16	11.2	FUGP	Cu
SH-2200SGAH25	WR4	172-261	25	50	6	13	9.5	FUGP	Cu
SH-2600SGAH25	WR3	217-330	25	40	6	11	7.7	FUGP	Cu

Standard Gain Horn Antenna



With Built-in Coaxial Input Style Standard Gain Horn Antenna
Nominal Gain Value: 10dB

ELECTRICAL CHARACTERISTICS:

Part No.	WG Type EIA	Freq Range (GHz)	Gain (dB)	Dimensions(mm)				Flange	Material
				L	L1	W	H		
SH-3SGAH10N	WR2300	0.32-0.49	10	850	300	1150	800	N Female	Al
SH-4SGAH10N	WR2100	0.35-0.53	10	800	300	1050	720	N Female	Al
SH-5SGAH10N	WR1800	0.41-0.62	10	800	400	900	660	N Female	Al
SH-6SGAH10N	WR1500	0.49-0.75	10	700	350	700	500	N Female	Al
SH-8SGAH10N	WR1150	0.64-0.98	10	590	290	620	440	N Female	Al
SH-9SGAH10N	WR975	0.75-1.15	10	480	250	480	336	N Female	Al
SH-12SGAH10N	WR770	0.96-1.46	10	400	200	400	280	N Female	Al
SH-14SGAH10N	WR650	1.13-1.73	10	370	170	315	235	N Female	Al
SH-18SGAH10N	WR510	1.45-2.20	10	310	130	249	184	N Female	Al
SH-22SGAH10N	WR430	1.72-2.61	10	260	110	209	154	N Female	Al
SH-26SGAH10N	WR340	2.17-3.30	10	200	90	165	125	N Female	Al
SH-32SGAH10N	WR284	2.60-3.95	10	175	75	144	114	N Female	Al
SH-40SGAH10N	WR229	3.22-4.90	10	150	80	113	88	N Female	Al
SH-48SGAH10N	WR187	3.94-5.99	10	145	75	98	73	N Female	Al
SH-58SGAH10N	WR159	4.64-7.05	10	135	75	83	63	N Female	Al
SH-70SGAH10N	WR137	5.38-8.17	10	110	60	67	52	N Female	Al
SH-84SGAH10N	WR112	6.57-9.99	10	95	50	57	42	N Female	Al
SH-100SGAH10N	WR90	8.20-12.40	10	75	45	47	37	N Female	Al
SH-120SGAH10N	WR75	9.84-15.0	10	75	45	40	29	N Female	Al
SH-140SGAH10S	WR62	11.9-18.0	10	75	45	37	27	SMA Female	Al
SH-180SGAH10S	WR51	14.5-22.0	10	75	45	30	20	SMA Female	Cu
SH-220SGAH10K	WR42	17.6-26.7	10	75	45	24	17	2.92 Female	Cu
SH-260SGAH10K	WR34	21.7-33.0	10	53	33	20	14	2.92 Female	Cu
SH-320SGAH10K	WR28	26.5-40.0	10	54	34	17	12	2.92 Female	Cu

Standard Gain Horn Antenna



With Built-in Coaxial Input Style Standard Gain Horn Antenna
Nominal Gain Value: 15dB

ELECTRICAL CHARACTERISTICS:

Part No.	WG Type EIA	Freq Range (GHz)	Gain (dB)	Dimensions(mm)				Flange	Material
				L	L1	W	H		
SH-9SGAH15N	WR975	0.75-1.15	15	820	250	850	580	N Female	Al
SH-12SGAH15N	WR770	0.96-1.46	15	700	200	700	480	N Female	Al
SH-14SGAH15N	WR650	1.13-1.73	15	520	170	550	380	N Female	Al
SH-18SGAH15N	WR510	1.45-2.20	15	430	130	456	316	N Female	Al
SH-22SGAH15N	WR430	1.72-2.61	15	360	110	380	265	N Female	Al
SH-26SGAH15N	WR340	2.17-3.30	15	290	90	297	216	N Female	Al
SH-32SGAH15N	WR284	2.60-3.95	15	255	75	275	190	N Female	Al
SH-40SGAH15N	WR229	3.22-4.90	15	210	80	205	145	N Female	Al
SH-48SGAH15N	WR187	3.94-5.99	15	195	75	169	119	N Female	Al
SH-58SGAH15N	WR159	4.64-7.05	15	165	75	141	97	N Female	Al
SH-70SGAH15N	WR137	5.38-8.17	15	145	60	122	84	N Female	Al
SH-84SGAH15N	WR112	6.57-9.99	15	125	50	105	71	N Female	Al
SH-100SGAH15N	WR90	8.20-12.40	15	105	45	81	56	N Female	Al
SH-120SGAH15N	WR75	9.84-15.0	15	95	45	68	47	N Female	Al
SH-140SGAH15S	WR62	11.9-18.0	15	100	45	57	40	SMA Female	Al
SH-180SGAH15S	WR51	14.5-22.0	15	80	45	47	33	SMA Female	Cu
SH-220SGAH15K	WR42	17.6-26.7	15	75	45	39	27	2.92 Female	Cu
SH-260SGAH15K	WR34	21.7-33.0	15	58	33	32	22	2.92 Female	Cu
SH-320SGAH15K	WR28	26.5-40.0	15	59	34	26	19	2.92 Female	Cu

Standard Gain Horn Antenna



With Built-in Coaxial Input Style Standard Gain Horn Antenna
Nominal Gain Value: 20dB

ELECTRICAL CHARACTERISTICS:

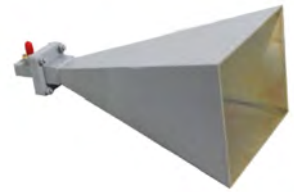
Part No.	WG Type EIA	Freq Range (GHz)	Gain (dB)	Dimensions(mm)				Flange	Material
				L	L1	W	H		
SH-32SGAH20N	WR284	2.60-3.95	20	725	75	476	346	N Female	Al
SH-40SGAH20N	WR229	3.22-4.90	20	550	80	345	264	N Female	Al
SH-48SGAH20N	WR187	3.94-5.99	20	475	75	280	212	N Female	Al
SH-58SGAH20N	WR159	4.64-7.05	20	435	75	245	175	N Female	Al
SH-70SGAH20N	WR137	5.38-8.17	20	325	60	197	153	N Female	Al
SH-84SGAH20N	WR112	6.57-9.99	20	315	50	180	128	N Female	Al
SH-100SGAH20N	WR90	8.20-12.40	20	245	45	138	107	N Female	Al
SH-120SGAH20N	WR75	9.84-15.0	20	220	45	115	83	N Female	Al
SH-140SGAH20S	WR62	11.9-18.0	20	170	45	93	72	SMA Female	Al
SH-180SGAH20S	WR51	14.5-22.0	20	165	45	80	56	SMA Female	Cu
SH-220SGAH20K	WR42	17.6-26.7	20	155	45	70	49	2.92 Female	Cu
SH-260SGAH20K	WR34	21.7-33.0	20	128	33	54	42	2.92 Female	Cu
SH-320SGAH20K	WR28	26.5-40.0	20	114	34	47	33	2.92 Female	Cu

Nominal Gain Value: 25dB

ELECTRICAL CHARACTERISTICS:

Part No.	WG Type EIA	Freq Range (GHz)	Gain (dB)	Dimensions(mm)				Flange	Material
				L	L1	W	H		
SH-100SGAH25N	WR90	8.20-12.40	25	760	40	250	180	N Female	Al
SH-120SGAH25N	WR75	9.84-15.0	25	570	45	200	155	N Female	Al
SH-140SGAH25S	WR62	11.9-18.0	25	540	45	175	120	SMA Female	Al
SH-180SGAH25S	WR51	14.5-22.0	25	424	44	134	104	SMA Female	Cu
SH-220SGAH25K	WR42	17.6-26.7	25	375	45	120	85	2.92 Female	Cu
SH-260SGAH25K	WR34	21.7-33.0	25	313	33	92	70	2.92 Female	Cu
SH-320SGAH25K	WR28	26.5-40.0	25	259	34	80	56	2.92 Female	Cu

Standard Gain Horn Antenna



With Coaxial Connector Style Standard Gain Horn Antenna
Nominal Gain Value: 10dB

ELECTRICAL CHARACTERISTICS:

Part No.	WG Type EIA	Freq Range (GHz)	Gain (dB)	Dimensions(mm)					Flange	Material
				L	L1	L2	W	H		
SH-12SGAH15+N	WR770	0.96-1.46	10	466	100	166	400	280	N Female	Al
SH-14SGAH15+N	WR650	1.13-1.73	10	430	80	150	315	235	N Female	Al
SH-18SGAH15+N	WR510	1.45-2.20	10	360	65	120	249	184	N Female	Al
SH-22SGAH15+N	WR430	1.72-2.61	10	310	60	100	209	154	N Female	Al
SH-26SGAH15+N	WR340	2.17-3.30	10	245	50	85	165	125	N Female	Al
SH-32SGAH15+N	WR284	2.60-3.95	10	222	50	72	144	114	N Female	Al
SH-40SGAH15+N	WR229	3.22-4.90	10	185	50	65	113	88	N Female	Al
SH-48SGAH15+N	WR187	3.94-5.99	10	164	40	54	98	73	N Female	Al
SH-58SGAH15+N	WR159	4.64-7.05	10	150	40	50	83	63	N Female	Al
SH-70SGAH15+N	WR137	5.38-8.17	10	123	25	48	67	52	N Female	Al
SH-84SGAH15+N	WR112	6.57-9.99	10	110	25	40	57	42	N Female	Al
SH-100SGAH15+N	WR90	8.20-12.40	10	83	20	33	47	37	N Female	Al
SH-120SGAH15+N	WR75	9.84-15.0	10	83	24.5	30	40	29	N Female	Al
SH-140SGAH15+S	WR62	11.9-18.0	10	82	25	27	37	27	SMA Female	Al
SH-180SGAH15+S	WR51	14.5-22.0	10	77	20	27	30	20	SMA Female	Cu
SH-220SGAH15+K	WR42	17.6-26.7	10	70	15	25	24	17	2.92 Female	Cu
SH-260SGAH15+K	WR34	21.7-33.0	10	62	15	27	20	14	2.92 Female	Cu
SH-320SGAH15+K	WR28	26.5-40.0	10	56	10	26	17	12	2.92 Female	Cu

Standard Gain Horn Antenna

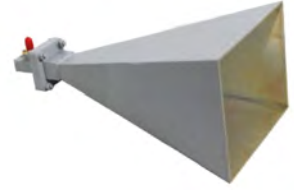


With Coaxial Connector Style Standard Gain Horn Antenna
Nominal Gain Value: 15dB

ELECTRICAL CHARACTERISTICS:

Part No.	WG Type EIA	Freq Range (GHz)	Gain (dB)	Dimensions(mm)					Flange	Material
				L	L1	L2	W	H		
SH-12SGAH15+N	WR770	0.96-1.46	15	766	100	166	700	480	N Female	Al
SH-14SGAH15+N	WR650	1.13-1.73	15	580	80	150	550	380	N Female	Al
SH-18SGAH15+N	WR510	1.45-2.20	15	485	65	120	456	316	N Female	Al
SH-22SGAH15+N	WR430	1.72-2.61	15	410	60	100	380	265	N Female	Al
SH-26SGAH15+N	WR340	2.17-3.30	15	335	50	85	297	216	N Female	Al
SH-32SGAH15+N	WR284	2.60-3.95	15	302	50	72	275	190	N Female	Al
SH-40SGAH15+N	WR229	3.22-4.90	15	245	50	65	205	145	N Female	Al
SH-48SGAH15+N	WR187	3.94-5.99	15	214	40	54	169	119	N Female	Al
SH-58SGAH15+N	WR159	4.64-7.05	15	180	40	50	141	97	N Female	Al
SH-70SGAH15+N	WR137	5.38-8.17	15	158	25	48	122	84	N Female	Al
SH-84SGAH15+N	WR112	6.57-9.99	15	140	25	40	105	71	N Female	Al
SH-100SGAH15+N	WR90	8.20-12.40	15	115	20	35	81	56	N Female	Al
SH-120SGAH15+N	WR75	9.84-15.0	15	105	25	30	68	47	N Female	Al
SH-140SGAH15+S	WR62	11.9-18.0	15	107	25	27	57	40	SMA Female	Al
SH-180SGAH15+S	WR51	14.5-22.0	15	82	20	27	47	33	SMA Female	Cu
SH-220SGAH15+K	WR42	17.6-26.7	15	70	15	25	39	27	2.92 Female	Cu
SH-260SGAH15+K	WR34	21.7-33.0	15	67	15	27	32	22	2.92 Female	Cu
SH-320SGAH15+K	WR28	26.5-40.0	15	61	10	26	26	19	2.92 Female	Cu

Standard Gain Horn Antenna



With Coaxial Connector Style Standard Gain Horn Ant Nominal Gain Value: 20dB

ELECTRICAL CHARACTERISTICS:

Part No.	WG Type EIA	Freq Range (GHz)	Gain (dB)	Dimensions(mm)					Flange	Material
				L	L1	L2	W	H		
SH-32SGAH20+N	WR284	2.60-3.95	20	772	50	72	476	346	N Female	Al
SH-40SGAH20+N	WR229	3.22-4.90	20	585	50	65	345	264	N Female	Al
SH-48SGAH20+N	WR187	3.94-5.99	20	494	40	54	280	212	N Female	Al
SH-58SGAH20+N	WR159	4.64-7.05	20	450	40	50	245	175	N Female	Al
SH-70SGAH20+N	WR137	5.38-8.17	20	338	25	48	197	153	N Female	Al
SH-84SGAH20+N	WR112	6.57-9.99	20	330	25	40	180	128	N Female	Al
SH-100SGAH20+N	WR90	8.20-12.40	20	255	20	35	138	107	N Female	Al
SH-120SGAH20+N	WR75	9.84-15.0	20	230	25	30	115	83	N Female	Al
SH-140SGAH20+S	WR62	11.9-18.0	20	177	25	27	93	72	SMA Female	Al
SH-180SGAH20+S	WR51	14.5-22.0	20	167	20	27	80	56	SMA Female	Cu
SH-220SGAH20+K	WR42	17.6-26.7	20	150	15	25	70	49	2.92 Female	Cu
SH-260SGAH20+K	WR34	21.7-33.0	20	137	15	27	54	42	2.92 Female	Cu
SH-320SGAH20+K	WR28	26.5-40.0	20	116	10	26	47	33	2.92 Female	Cu
SH-400SGAH20+K	WR22	33-50	20	96	10	31	35	26	2.92 Female	Cu

Nominal Gain Value: 25dB

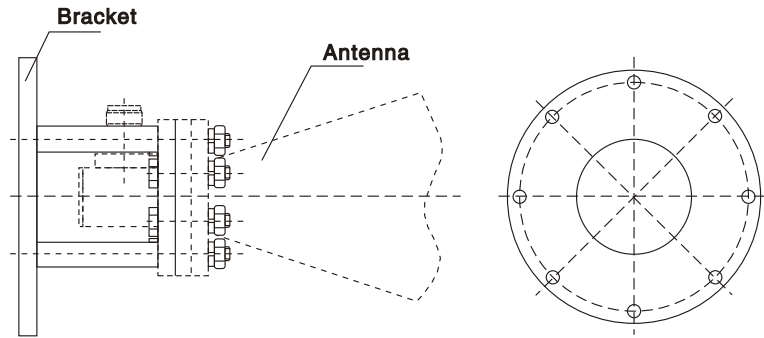
ELECTRICAL CHARACTERISTICS:

Part No.	WG Type EIA	Freq Range (GHz)	Gain (dB)	Dimensions(mm)					Flange	Material
				L	L1	L2	W	H		
SH-100SGAH25+N	WR90	8.20-12.40	25	775	40	35	250	180	N Female	Al
SH-120SGAH25+N	WR75	9.84-15.0	25	550	25	30	200	155	N Female	Al
SH-140SGAH25+S	WR62	11.9-18.0	25	547	25	27	175	120	SMA Female	Al
SH-180SGAH25+S	WR51	14.5-22.0	25	427	23	27	134	104	SMA Female	Cu
SH-220SGAH25+K	WR42	17.6-26.7	25	375	20	25	120	85	2.92 Female	Cu
SH-260SGAH25+K	WR34	21.7-33.0	25	327	20	27	92	70	2.92 Female	Cu
SH-320SGAH25+K	WR28	26.5-40.0	25	266	15	26	80	56	2.92 Female	Cu
SH-400SGAH25+K	WR22	33-50	25	236	10	31	66	46	2.92 Female	Cu

Antenna Bracket for Standard Gain Horn Antenna

1)Type 1

SH-ZJG...



1)Type 2

SH-ZJL...

