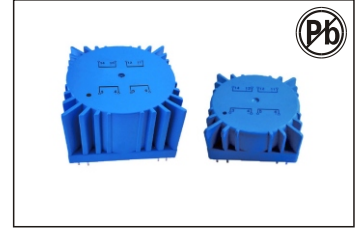


# PCB MOUNT TOROIDAL ENCAPSULATED TRANSFORMER

## 1.6W PETT SERIES



### FEATURES:

- Low profile; High efficiency
- Fully encapsulated; magnetically shielded
- Low standby current
- Safety approved-UL506,UL5085-1&2; UL6500/UL60065

### COMMON APPLICATIONS:

- Medical equipment
- Test equipment
- Media & high-end audio equipment
- Broadcast sound systems and other various devices

### ELECTRICAL CHARACTERISTICS (@ 25°C)

Part No.	Power VA	Series		Parallel	
		Output Voltage(V)	Output Current(mA)	Output Voltage(V)	Output Current(mA)
PETT016012	1.6	12	133	6	266
PETT016014	1.6	14	114	7	228
PETT016018	1.6	18	89	9	178
PETT016024	1.6	24	67	12	134
PETT016030	1.6	30	53	15	106
PETT016036	1.6	36	44	18	88
PETT016044	1.6	44	36	22	72
PETT016048	1.6	48	33	24	66

#### Dual Primary

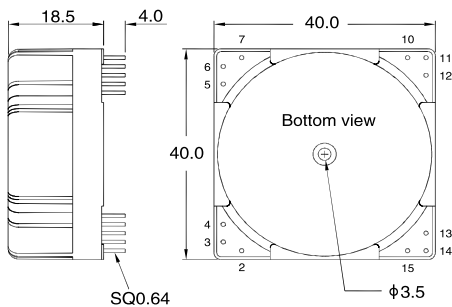
115V, 60Hz (Pin3 – Pin6) (Pins3, 5 short; Pins 4, 6 short)  
 230V 50Hz (Pin3 –Pin6) (Pins 4, 5 short)

#### Dual Secondary

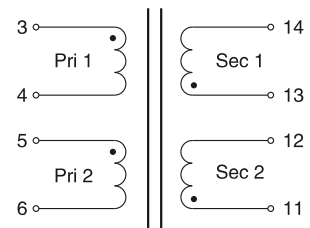
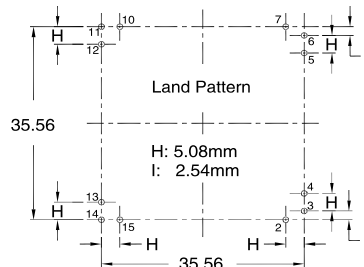
In Series (Pin11 –Pin14) (Pins12, 13 short)  
 In Parallel (Pin11 –Pin14) (Pins11,13 short;Pins12,14 short)

### PHYSICAL CHARACTERISTICS

### TECHNICAL INFORMATION



All dimensions in mm



- Primary: Dual primary (115V/230V 50/60Hz)
- Secondary: Series or parallel
- High ambient operating temperature: +60°C max
- Insulation Class: Class F (155°C)
- Dielectric Strength: 4000Vrms
- Operating temperature: -40°C to +120°C
- Storage temperature: -40°C to +105°C
- Blind center hole
- Unused pins are omitted for standard parts. Unused pins can be provided on request.