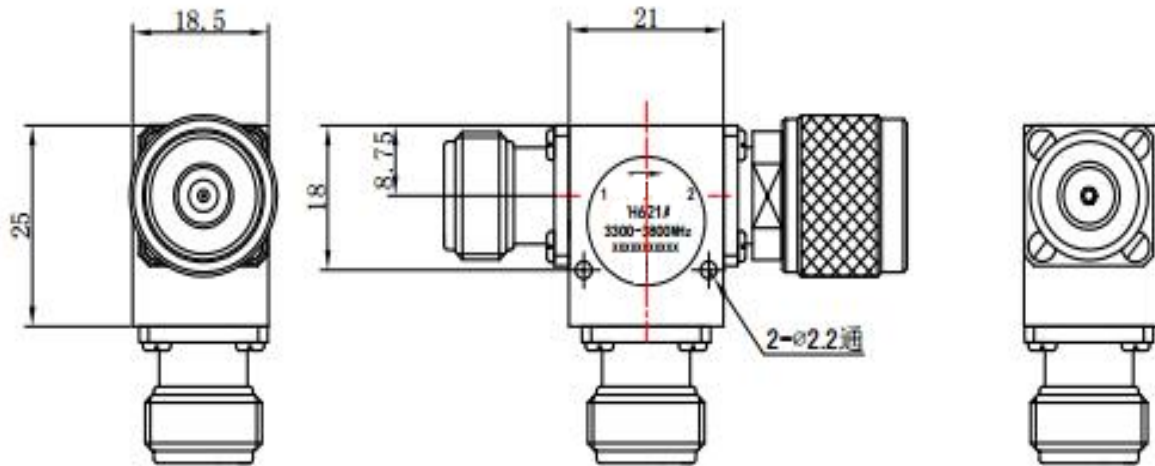


1.Features

UMTS, LTE Band

Wide Operation Temperature Range -40 ~ +80°C

2.Dimensions Unit:mm



3.Specifications

Part No.	Frequency (GHz)		Center Frequency	Bandwidth	Isolation	INS LOSS	VSWR	Power	IMD (@2X43dBm)
	F1	F2	(GHz)	(GHz)	(dB) MIN	(dB) MAX	MAX	(W)	(-dBc) MAX
H621AZ[1800-2200MHz]	1.800	2.200	2.0000	0.400	20	0.35	1.25	100	
H621AZ[2400-2700MHz]	2.400	2.700	2.5500	0.300	20	0.35	1.25	100	
H621AZ[3300-3800MHz]	3.300	3.800	3.5500	0.500	20	0.35	1.25	100	
H621AZ[4400-5000MHz]	4.400	5.000	4.7000	0.600	20	0.35	1.25	100	
H621AZ[5000-6000MHz]	5.000	6.000	5.5000	1.000	20	0.35	1.25	100	